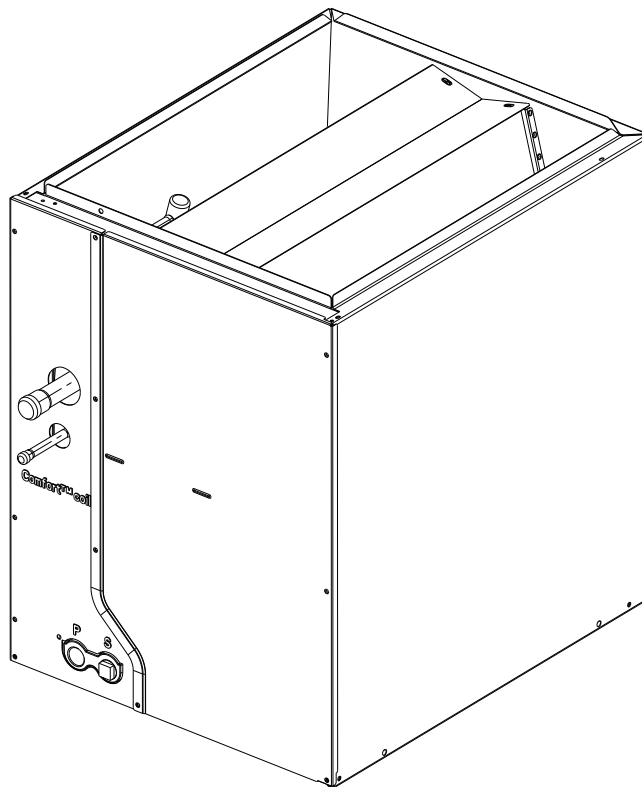




Aluminum Cased Cooling Coils 2-5 Ton

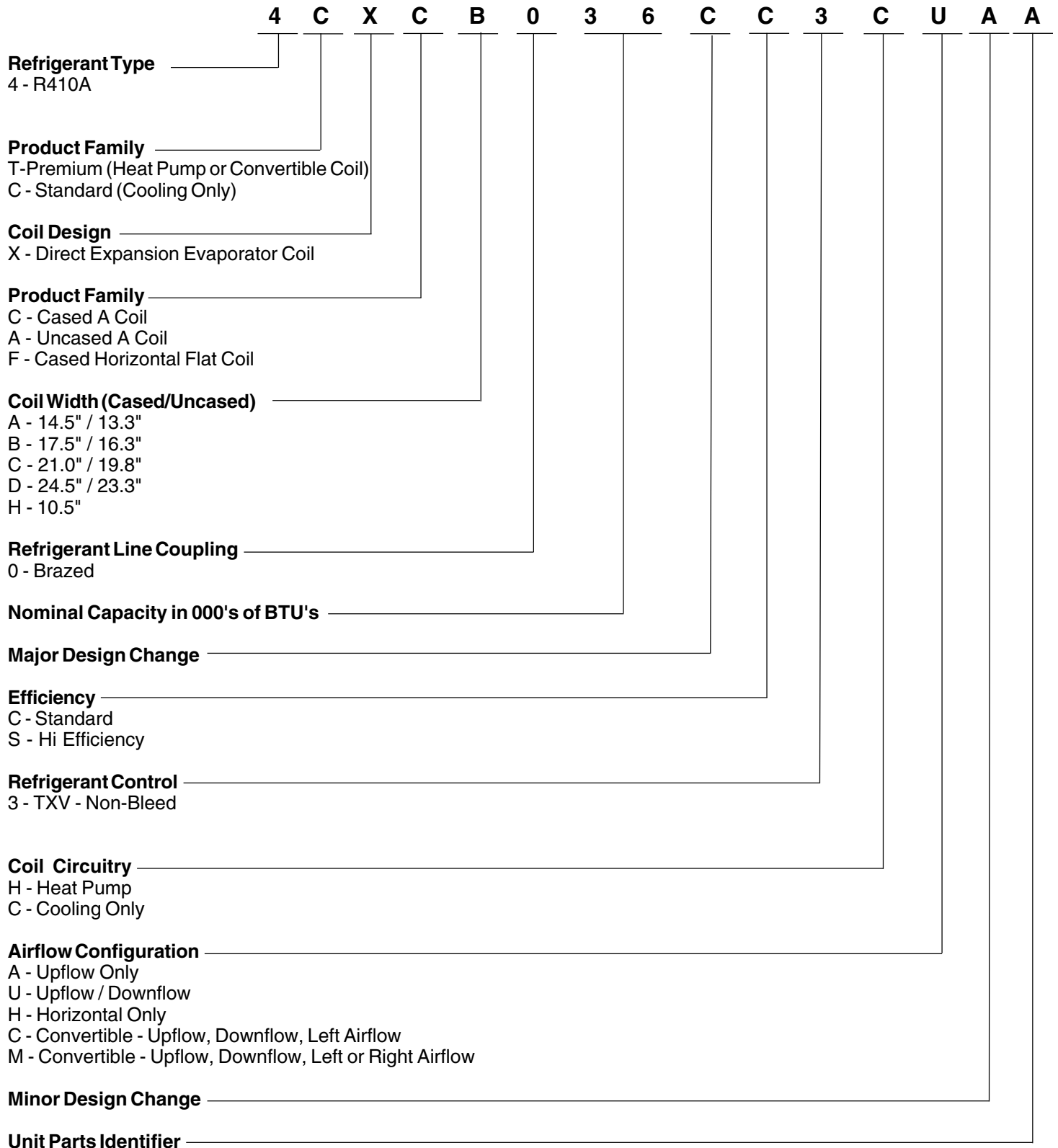
4CXC



PUB. NO. 22-1839-03



Aluminum Cooling Coil Nomenclature





General Data

NON-BLEED TXV KITS		
Coils	R410A	R22
4CXC - 024	4AYTXVH3D1831A	2AYTXVH3C2425A
4CXC - 025	4AYTXVH3D1831A	2AYTXVH3C2425A
4CXC - 031	4AYTXVH3D1831A	2AYTXVH3C3031A
4CXC - 036	4AYTXVH3D3343A	2AYTXVH3C3337A
4CXC - 037	4AYTXVH3D3343A	2AYTXVH3C3337A
4CXC - 042	4AYTXVH3D3343A	2AYTXVH3C4243A
4CXC - 043	4AYTXVH3D3343A	2AYTXVH3C4243A
4CXC - 049	4AYTXVH3D4863A	2AYTXVH3C4850A
4CXC - 061	4AYTXVH3D4863A	2AYTXVH3C5463A



General Data

PRODUCT SPECIFICATIONS^[1] --- 4 CXC COOLING ONLY UPFLOW CASED COILS

	4CXCA024CC3CUA	4XCB025CC3CUA	4XCB031CC3CUA	4XCB036CC3CUA	4XCC037CC3CUA
INDOOR COIL--Type	PLATE FIN	PLATE FIN	PLATE FIN	PLATE FIN	PLATE FIN
Rows / F.P.I.	2 / 18	3 / 14	3 / 14	3 / 14	3 / 14
Face Area (sq.ft.)	4.00	3.50	3.50	5.00	5.00
Tube Size (in.)	3/8	3/8	3/8	3/8	3/8
Refrigerant Control (No internal check valve)	Non-Bleed TXV	Non-Bleed TXV	Non-Bleed TXV	Non-Bleed TXV	Non-Bleed TXV
Drain Conn. Size (in.)	3/4 NPT	3/4 NPT	3/4 NPT	3/4 NPT	3/4 NPT
Duct Connections		- See Outline Drawings -			
REFRIGERANT CONNECTIONS	R-410A BRAZED	R-410A BRAZED	R-410A BRAZED	R-410A BRAZED	R-410A BRAZED
Line Size (Gas) (in.)	5/8*	5/8*	3/4	3/4*	3/4*
Line Size (Liquid) (in.)	5/16	5/16	5/16	3/8	3/8
DIMENSIONS (In.)	H x W x D	H x W x D	H x W x D	H x W x D	H x W x D
Crated (H x W x D)	19 X 16-3/4 X 26	19 X 19-3/4 X 26	19 X 19-3/4 X 26	24 X 19-3/4 X 26	24 x 23-1/4 x 26
Uncrated (H x W x D)		- See Outline Drawings-			
WEIGHT (lbs.)					
Shipping -- Net	33 / 31	43 / 41	43 / 41	45 / 42	48 / 45
	4XCB042CC3CUA	4XCC043CC3CUA	4XCC049CC3CUA	4XCXD061CC3CUA	
INDOOR COIL--Type	PLATE FIN	PLATE FIN	PLATE FIN	PLATE FIN	
Rows / F.P.I.	3 / 14	3 / 14	3 / 14	3 / 14	
Face Area (sq.ft.)	5.00	5.00	6.00	7.00	
Tube Size (in.)	3/8	3/8	3/8	3/8	
Refrigerant Control (No internal check valve)	Non-Bleed TXV	Non-Bleed TXV	Non-Bleed TXV	Non-Bleed TXV	
Drain Conn. Size (in.)	3/4 NPT	3/4 NPT	3/4 NPT	3/4 NPT	
Duct Connections		- See Outline Drawings -			
REFRIGERANT CONNECTIONS	R-410A BRAZED	R-410A BRAZED	R-410A BRAZED	R-410A BRAZED	
Line Size (Gas) (in.)	3/4*	3/4*	7/8*	7/8*	
Line Size (Liquid) (in.)	3/8	3/8	3/8	3/8	
DIMENSIONS (In.)	H x W x D	H x W x D	H x W x D	H x W x D	
Crated (H x W x D)	24 x 19-3/4 x 26	24 x 23-1/4 x 26	28-1/4 x 23-1/4 x 26	31-1/2 x 26-3/4 x 26	
Uncrated (H x W x D)		- See Outline Drawings -			
WEIGHT (lbs.)					
Shipping -- Net	45 / 42	48 / 45	52 / 48	67 / 63	

* Reducer supplied with R-410A model

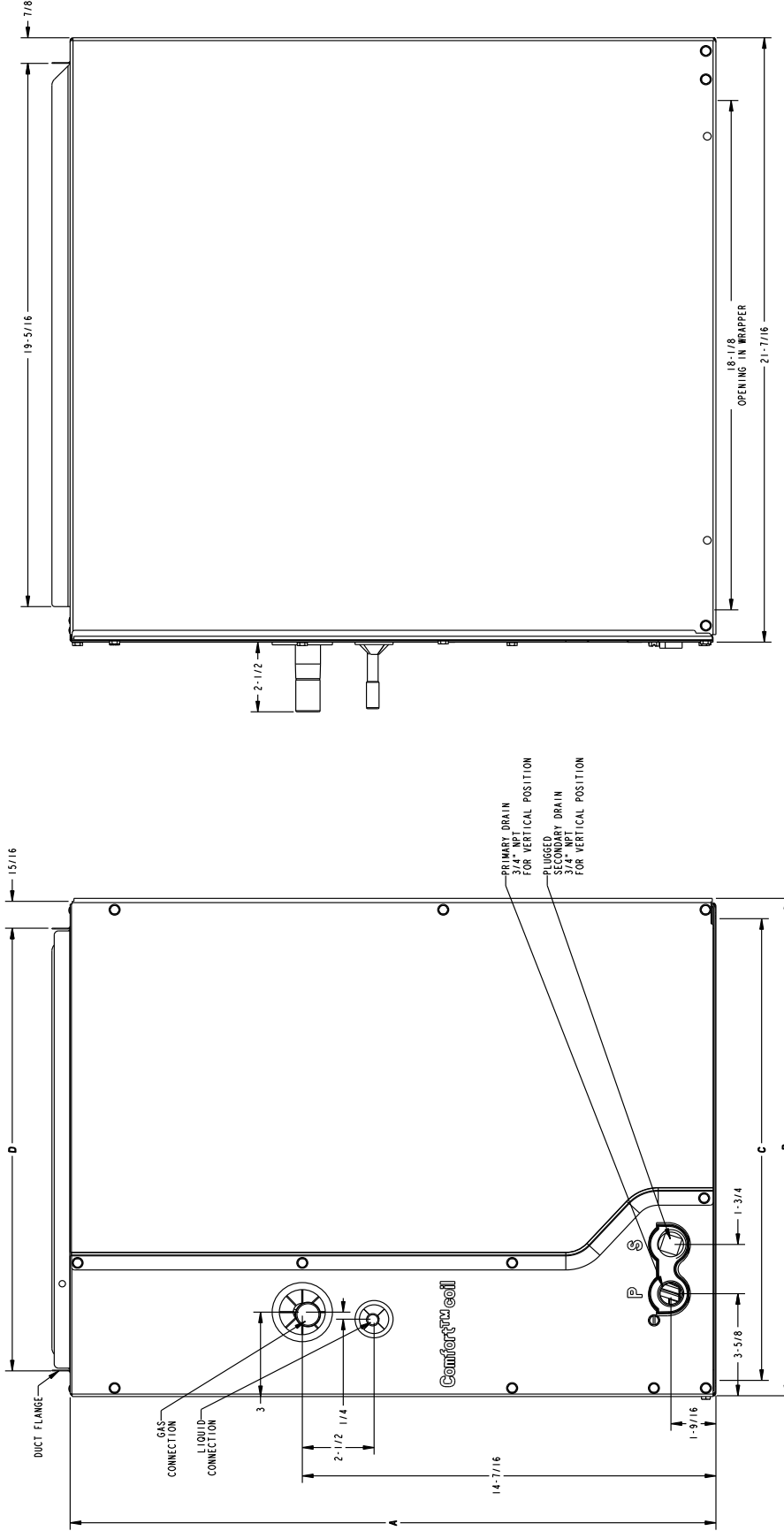
[1] These indoor coils are A.R.I. certified with various split system air conditioners and heat pumps (A.R.I. Standard 210/240). Refer to the split system product data guides for performance data.

Performance Data

PRESSURE DROP CHARACTERISTICS FOR COOLING AND HEAT PUMP COILS								
AIRFLOW (CFM) VS. PRESSURE DROP ACROSS WET COIL								
PRESSURE DROP (INCHES OF WATER COLUMN)								
MODEL	.05	0.1	0.15	0.2	0.25	0.3	0.35	0.4
2/4TXCA018BC3HCA	360	545	690	820	930	1040	1135	1230
2/4TXFH018AS3HHA	350	575	800	1050	-	-	-	-
4CXCA024CC3CUA 2/4TXCA024BC3HCA	360	545	690	820	930	1040	1135	1230
4CXCB025CC3CUA 4CXCB031CC3CUA 2/4TXCB025AC3HCA 2/4TXCB031AC3HCA	310	515	700	865	1020	1170	1310	1450
2/4TXFH033AS3HHA	525	750	1000	1150	1325	1500	-	-
4CXCB036CC3CUA 4CXCB042CC3CUA 2/4TXCB036BC3HCA 2/4TXCB042BC3HCA	480	690	860	1005	1130	1250	1360	1460
2/4TXFH041AS3HHA	800	1075	1325	1575	1900	-	-	-
2/4TXCB048BC3HCA	470	680	840	980	1110	1220	1330	1425
4CXCC037CC3CUA 4CXCC043CC3CUA 2/4TXCC037BC3HCA 2/4TXCC043BC3HCA	630	900	1105	1280	1440	1520	1710	1830
4CXCC049CC3CUA 2/4TXCC049BC3HCA	675	970	1200	1390	1560	1715	1860	2000
2/4TXCC060BC3HCA	680	965	1190	1375	1540	1685	1820	1950
2/4TXCD050BC3HCA	810	1140	1390	1600	1790	1950	2110	2250
2/4TXFH054AS3HHA	600	825	1050	1300	1500	1700	1852	2075
4CXCD061CC3CUA 2/4TXCD061BC3HCA	820	1155	1410	1620	1810	1980	2130	2280
2/4TXFH063AS3HHA	800	1150	1450	1750	2000	2225	-	-

OUTLINE DRAWING FOR 4XCX COILS

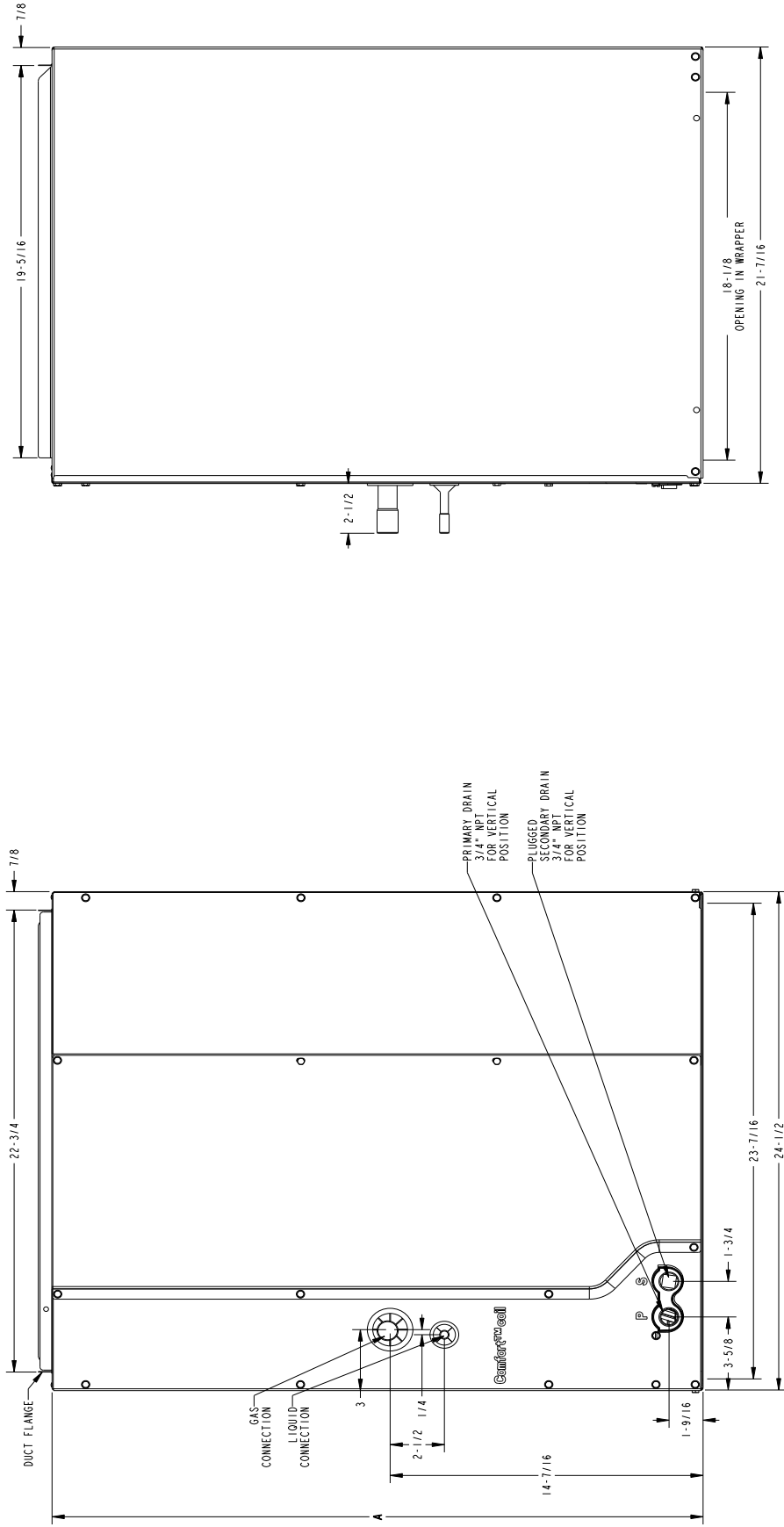
Outline Drawing for 4CXCA024CC3CUA, 4CXCB025CC3CUA, 4CXCB031CC3CUA, 4CXCB036CC3CUA, 4CXCB042CC3CUA, 4CXCC037CC3CUA, 4CXCC043CC3CUA, and 4CXCC049CC3CUA. (All dimensions are in inches)



MODEL	4CXCA024CC3CUA	4CXCB025CC3CUA 4CXCB031CC3CUA	4XCX037CC3CUA 4XCX043CC3CUA	4XCX042CC3CUA	4XCX049CC3CUA
WEIGHT (LBS)	31	41	42	45	48
REFRIGERANT CONTROL			TXV (NON-BLEED)		
HEIGHT "X" (IN)	22-5/8	17-5/8	22-5/8	22-5/8	26-7/8
OVERALL WIDTH "B" (IN)	14-1/2	17-1/2	17-1/2	17-1/2	21
OVERALL WIDTH "C" (IN)	13-1/2	16-1/2	16-1/2	16-1/2	20
TOP OPENING "D"	12-3/4	15-3/4	15-3/4	15-3/4	19-1/4
GAS CONNECTION	5/8 BRAZE		3/4 BRAZE	3/4 BRAZE	7/8 BRAZE
LIQUID CONNECTION			3/8 BRAZE	3/8 BRAZE	
MATCHED SERVICE WITH IND ADAPTER REQUIRED	14-1/2	17-1/2			21
DRAIN PAN		PLASTIC			

OUTLINE DRAWING FOR 4CXC COILS

Outline Drawing for 4CXCD061CC3CUA, (All dimensions are in inches)



MODEL	4CXCD061CC3CUA
WEIGHT (LBS)	6.3
REFRIGERANT CONTROL	TXV (NON-BLEED)
HEIGHT "X" (IN)	30-1/16
GAS CONNECTION	7/8 BRAZE
LIQUID CONNECTION	3/8 BRAZE
MATCHED FURNACE WIDTH (NO ADAPTER REQUIRED)	24-1/2
DRAIN PAN	PLASTIC

Mechanical Specifications

General

Upflow coils shall be designed for cooling applications. The coil shall be 3/8" seamless Aluminum tubing mechanically bonded to aluminum plate fin.

Refrigerant for the CXC coils shall be controlled with factory installed Non-Bleed TXV refrigerant control. Refrigerant connections are spun closed fittings with an additional Schrader Valve (internal to the cabinet) for system service.

The coil cabinet shall have a removable front and interior access panel for evaporator coil entering air surface cleaning.

The coil includes a drain pan with drain connections for vertical operation.

These coils are A.R.I. certified with Trane's matching condensing units.

Accessories

Evaporator Defrost Control installed on coil for lower ambient operating conditions.

Non-Bleed Expansion Valve Kits for use with R410A refrigerant systems.



Trane
6200 Troup Highway
Tyler, TX 75707
www.trane.com

For more information contact
your local dealer (distributor)



Literature Order Number	22-1839-03
File Number	22-1839-03
Supersedes	22-1839-02
Date	09/09

Since **Trane** has a policy of continuous product improvement, it reserves the right to change design and specifications without notice.