

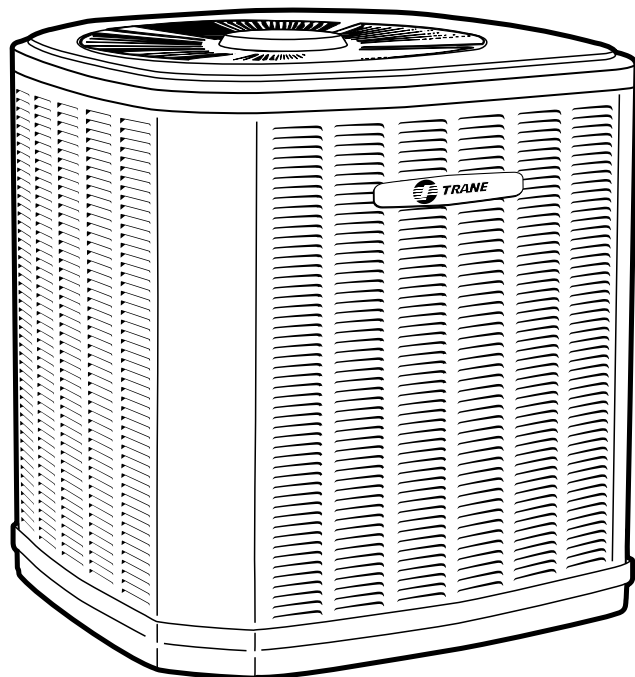


# Split System Cooling Product Data

---

**XR 13**  
**4TTR3018-060**

**1½ – 5 Tons**



---

**PUB. NO. 22-1842-05**



# Features and Benefits

---

- **Climatuff**® compressor
- Efficiency up to 14.00 SEER
- All aluminum **Spine Fin**™ coil
- **WeatherGuard**™ fasteners
- **Quick-Sess**™ cabinet, easy service access and refrigerant connections with full coil protection
- **DuraTuff**™ base, fast complete drain, weather proof
- **Comfort "R"**™ mode approved
- Glossy corrosion resistant finish
- Internal high/low pressure and temperature protection
- 018, 024, 030, 036 and 060 ship with start kit
- Liquid line filter-drier
- Tarpaulin gray cabinet with anthracite gray badge & cap
- High pressure switch
- R-410A refrigerant
- S.E.E.T. design testing
- 100% line run test
- Low ambient cooling to 55°F as shipped
- Low ambient cooling to 30°F with AY28X079
- Low ambient cooling to 0°F with BAYLOAM103
- **Extended warranties available**

# Contents

---

<b>Features and Benefits</b>	<b>2</b>
<b>General Data</b>	<b>4</b>
Product Specifications	4
A-weighted Sound Power Level [dB(A)]	4
Accessory Description and Usage	5
AHRI Standard Capacity Rating Conditions	5
<b>Model Nomenclature</b>	<b>6</b>
<b>Electrical Data</b>	<b>7</b>
<b>Dimensions</b>	<b>10</b>
<b>Mechanical Specification Options</b>	<b>11</b>



# General Data

## Product Specifications

Model No. ①	4TTR3018E1	4TTR3024E1	4TTR3030D1	4TTR3036D1
Electrical Data V/Ph/Hz ②	208/230/1/60	200/230/1/60	208/230/1/60	208/230/1/60
Min Branch Cir Ampacity	9	12	15	18
Br. Cir. Prot. Rtg. - Max (Amps)	15	20	25	30
Compressor	CLIMATUFF®	CLIMATUFF®	CLIMATUFF®	CLIMATUFF®
RL Amps - LR Amps	6.4 - 40	8.9 - 48.5	11.3 - 68.2	14.0 - 63
Outdoor Fan FL Amps	0.74	0.74	0.74	0.74
Fan HP	1/8	1/8	1/8	1/8
Fan Dia (inches)	23.0	23.0	23.0	23.0
Coil	Spine Fin™	Spine Fin™	Spine Fin™	Spine Fin™
Refrigerant R-410A	4/15-LB/OZ	5/8-LB/OZ	5/2-LB/OZ	6/9-LB/OZ
Line Size - (in.) O.D. Gas ③	5/8	5/8	3/4	3/4
Line Size - (in.) O.D. Liquid ③	3/8	3/8	3/8	3/8
Charge Spec. Subcooling	8°	10°	10°	10°
Dimensions H x W x D (Crated)	34 x 30.1 x 33	34 x 30.1 x 33	34 x 30.1 x 33	38 x 30.1 x 33
Weight - Shipping	191	196	200	217
Weight - Net	165	169	173	190
Start Components	YES	YES	YES	YES
Sound Enclosure	YES	NO	NO	NO
Compressor Sump Heat	NO	NO	NO	NO
<b>Optional Accessories: ④</b>				
Anti-short Cycle Timer	TAYASCT501A	TAYASCT501A	TAYASCT501A	TAYASCT501A
Evaporator Defrost Control	AY28X079	AY28X079	AY28X079	AY28X079
Rubber Isolator Kit	BAYISLT101	BAYISLT101	BAYISLT101	BAYISLT101
Extreme Condition Mounting Kit	BAYECMT023	BAYECMT023	BAYECMT023	BAYECMT023
Start Kit				
Crankcase Heater Kit	BAYCCHT300	BAYCCHT300	BAYCCHT300	BAYCCHT300
Seacoast Kit	BAYSEAC001	BAYSEAC001	BAYSEAC001	BAYSEAC001
Low Ambient Kit	BAYLOAM103	BAYLOAM103	BAYLOAM103	BAYLOAM103
Refrigerant Lineset ⑤	TAYREFLN950	TAYREFLN950	TAYREFLN7*	TAYREFLN7*

① Certified in accordance with the Unitary Air-Conditioner equipment certification program which is based on AHRI Standard 210/240.

② Calculated in accordance with N.E.C. Only use HACR circuit breakers or fuses.

③ Standard line lengths - 60'. Standard lift - 60' Suction and Liquid line.

For Greater lengths and lifts refer to refrigerant piping software Pub# 32-3312-0†. (†denotes latest revision)

④ For accessory description and usage, see page 5.

⑤ \* = 15, 20, 25, 30, 40 and 50 foot lineset available.

MODEL	SOUND POWER LEVEL [dB(A)]	A-WEIGHTED FULL OCTAVE SOUND POWER LEVEL dB [(dB(A))]							
		63	125	250	500	1000	2000	4000	5000
4TTR3018E1	76	77	71	67	73	67	72	62	55
4TTR3024E1	75	79	70	66	69	70	70	62	55
4TTR3030D1	76	77	68	69	70	69	72	61	58
4TTR3036D1	75	78	74	67	72	72	66	62	57
4TTR3042D1	74	76	73	69	71	70	64	58	53
4TTR3048D1	75	80	73	70	72	71	65	63	59
4TTR3060D1	75	80	73	70	72	71	65	63	59

Note: Rated in accordance with AHRI Standard 270-2008



# General Data

## Product Specifications

Model No. ①	4TTR3042D1	4TTR3048D1	4TTR3060D1
Electrical Data V/Ph/Hz ②	208/230/1/60	208/230/1/60	208/230/1/60
Min Cir Ampacity	26	28	35
Max Fuse Size (Amps)	45	50	60
Compressor	CLIMATUFF® - SCROLL	CLIMATUFF® - SCROLL	CLIMATUFF® - SCROLL
RL Amps - LR Amps	19.9 - 105	21.8 - 117	26.8 - 134
Outdoor Fan FL Amps	0.93	0.93	0.93
Fan HP	1/5	1/5	1/5
Fan Dia (inches)	27.5	27.5	27.5
Coil	Spine Fin™	Spine Fin™	Spine Fin™
Refrigerant R-410A	6/2-LB/OZ	6/13-LB/OZ	8/0-LB/OZ
Line Size - (in.) O.D. Gas ③	3/4	7/8	7/8
Line Size - (in.) O.D. Liquid ③	3/8	3/8	3/8
Charge Spec. Subcooling	10°	10°	10°
Dimensions H x W x D (Crated)	34.4 x 35.1 x 38.7	34.4 x 35.1 x 38.7	42.4 x 35.1 x 38.7
Weight - Shipping	228	235	261
Weight - Net	196	203	226
Start Components	NO	NO	YES
Sound Enclosure	NO	NO	NO
Compressor Sump Heat	NO	NO	NO
<b>Optional Accessories:</b> ④			
Anti-short Cycle Timer	TAYASCT501A	TAYASCT501A	TAYASCT501A
Evaporator Defrost Control	AY28X079	AY28X079	AY28X079
Rubber Isolator Kit	BAYISLT101	BAYISLT101	BAYISLT101
Extreme Condition Mounting Kit	BAYECMT004	BAYECMT004	BAYECMT004
Start Kit	BAYKSKT263	BAYKSKT263	
Crankcase Heater Kit	BAYCCHT301	BAYCCHT301	BAYCCHT301
Seacoast Kit	BAYSEAC001	BAYSEAC001	BAYSEAC001
Low Ambient Kit	BAYLOAM103	BAYLOAM103	BAYLOAM103
Refrigerant Lineset ⑤	TAYREFLN7*	TAYREFLN3*	TAYREFLN3*

## Accessory Description and Usage

**Anti-Short Cycle Timer** — Solid state timing device that prevents compressor recycling until five (5) minutes have elapsed after satisfying call or power interruptions. Use in area with questionable power delivery, commercial applications, long lineset, etc.

**Evaporator Defrost Control** — SPST Temperature actuated switch that cycles the condenser off as indoor coil reaches freeze-up conditions. Used for low ambient cooling to 30°F with TXV.

**Rubber Isolators** — Five (5) large rubber donuts to isolate condensing unit from transmitting energy into mounting frame or pad. Use on any application where sound transmission needs to be minimized.

**Hard Start kit** — Start capacitor and relay to assist compressor motor startup. Use in areas with marginal power supply, on long linesets, low ambient conditions, etc.

**Extreme Condition Mount Kit** — Bracket kits to securely mount condensing unit to a frame or pad without removing any panels. Use in areas with high winds, or on commercial roof tops, etc.

## AHRI Standard Capacity Rating Conditions

### AHRI STANDARD 210/240 RATING CONDITIONS —

- (A) Cooling 80°F DB, 67°F WB air entering indoor coil, 95°F DB air entering outdoor coil.
- (B) High Temperature Heating 47°F DB, 43°F WB air entering outdoor coil, 70°F DB air entering indoor coil.
- (C) Low Temperature Heating 17°F DB, 15°F WB air entering outdoor coil, 70°F DB air entering indoor coil.
- (D) Rated indoor airflow for heating is the same as for cooling.

**AHRI STANDARD 270 RATING CONDITIONS** — (Noise rating numbers are determined with the unit in cooling operation.) Standard Noise Rating number is at 95°F outdoor air.





# Model Nomenclature

## Outdoor Units

4 T T R 3 0 3 6 B 1 0 0 0 A A

- Refrigerant Type
  - 2 = R-22
  - 4 = R-410A
- TRANE
- Product Type
  - W = Split Heat Pump
  - T = Split Cooling
- Product Family
  - Z = Leadership – Two Stage
  - X = Leadership
  - R = Replacement/Retail
  - B = Basic
  - A = Light Commercial
- Family SEER
 

0 = 10	3 = 13	6 = 16
1 = 11	4 = 14	8 = 18
2 = 12	5 = 15	9 = 19
- Split System Connections 1-6 Tons
  - 0 = Brazed
- Nominal Capacity in 000s of BTUs
- Major Design Modifications
- Power Supply
  - 1 = 200-230/1/60 or 208-230/1/60
  - 3 = 200-230/3/60
  - 4 = 460/3/60
- Secondary Function
- Minor Design Modifications
- Unit Parts Identifier

## High Efficiency Furnaces

T U D 1 B 0 8 0 A 9 H 3 1 A A

- Furnace Configuration
  - TU = Upflow / Horizontal
  - TD = Downflow / Horizontal
- Type
  - D = 80% Premium
  - X = 90% Premium
- Number of Heating Stages
  - 1 = Single Stage
  - 2 = Two Stage
  - 3 = Three Stage
- Cabinet Width
  - A = 14.5" Cabinet Width
  - B = 17.5" Cabinet Width
  - C = 21.0" Cabinet Width
  - D = 24.5" Cabinet Width
- Heating Input
  - 080 = 80,000 BTUH
- Major Design Change
- Power Supply / Fuel
  - 9 = 115 Volts / Natural Gas
  - F = 115 Volts / Natural Gas with Integrated iFD Filter
- Airflow Capacity for Cooling
  - 36 = 3 Ton Standard PSC Motor
  - H3 = 3 Ton High Efficiency Motor
  - V3 = 3 Ton Variable Speed Motor
- Draft Inducer Speeds
  - 1 = Single Speed
  - 2 = Two Speed
  - V = Variable Speed
- Minor Design Change
- Service Digit – Not Orderable

## Air Handlers- Residential

1 2 3 4 5 6 7 8 9 10 11 12 13 14 15

4 T E E 3 F 3 6 A 1 0 0 0 A A

- Refrigerant Type
  - 4 = R-410A
- Application
  - TE = Fully Convertible
  - TG = Semi Convertible
  - TF = Front Return
  - TB = Modular Blower
- Product Family
  - E = Leadership - Variable Speed
  - H = High Efficiency
  - C = Replacement/Retail
  - B = Basic
- Flow Control
  - 0 = No Flow Control
  - 3 = TXV-Non-bleed
- Feature Identifier
  - 0 = Standard Unit
  - F = Air-Tite™
  - D = Integated Whole Home Air Cleaner
  - C = Communicating Air Handler
- Nominal Capacity in 1000's (BTUH)
- Major Design Change
- Power Supply
  - 1 = Single Phase
- Electrical Connection
  - 0 = Pig Tails
  - B = Circuit Breaker
  - D = Pull Disconnect
- Future Option - Factory Installed Heater Nominal KW Value
- Minor Design Change
- Service Digit - Not Orderable

## Heat Pump / Cooling Coils

2 T X C B 0 3 6 A C 3 H C A A

- Refrigerant Type
  - 2 = R-22
  - 4 = R-410A
- Product Family
  - T = Premium (Heat Pump or Convertible Coil)
  - C = Standard (Cooling Only)
- Coil Design
  - X = Direct Expansion Evaporator Coil
- Product Family
  - C = Cased A Coil
  - A = Uncased A Coil
  - F = Cased Horizontal Flat Coil
- Coil Width (Cased / Uncased)
 

A = 14.5" / 13.3"	C = 21.0" / 19.8"	H = 10.5"
B = 17.5" / 16.3"	D = 24.5" / 23.3"	
- Refrigerant Line Coupling
  - 0 = Brazed
- Nominal Capacity in 000s of BTUs
- Major Design Change
- Efficiency
  - C = Standard
  - S = Hi Efficiency
- Refrigerant Control
  - 3 = TXV - Non-Bleed
- Coil Circuitry
  - H = Heat Pump
  - C = Cooling Only
- Airflow Configuration
  - A = Upflow Only
  - U = Upflow / Downflow
  - H = Horizontal Only
  - C = Convertible – Upflow, Downflow, Left Airflow
  - M = Convertible – Upflow, Downflow, Left or Right Airflow
- Minor Design Change
- Unit Parts Identifier

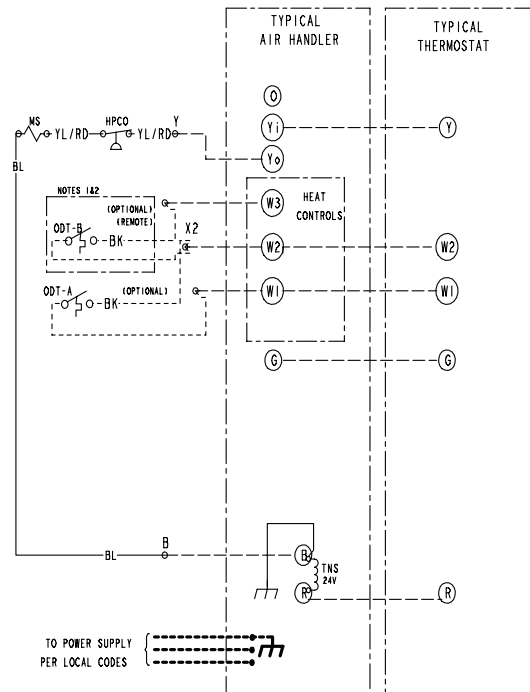
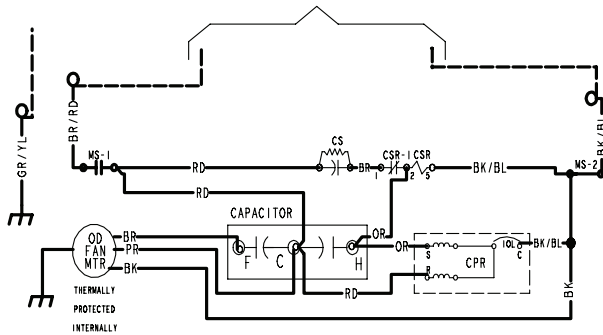
# Electrical Data

## SCHEMATIC DIAGRAMS

(SEE LEGEND)

### 4TTR3018E1,024E1,030, and 036D1

TO POWER SUPPLY PER UNIT NAMEPLATE AND LOCAL CODES



- NOTES:
1. IF ODT-B IS NOT USED, ADD JUMPER BETWEEN W2 & W3 AT AIR HANDLER. IF USED, ODT-B MUST BE MOUNTED REMOTE OF CONTROL BOX IN AN APPROVED WEATHER PROOF ENCLOSURE.
  2. IF ODT-A IS NOT USED, ADD JUMPER BETWEEN W1 & W2 AT AIR HANDLER.
  3. LOW VOLTAGE (24 V) FIELD WIRING MUST BE 18 AWG MIN.

#### ⚠ WARNING

**HAZARDOUS VOLTAGE!**  
DISCONNECT ALL ELECTRICAL POWER INCLUDING REMOTE DISCONNECTS BEFORE SERVICING.  
Failure to disconnect power before servicing can cause severe personal injury or death.

FOR CANADIAN INSTALLATIONS  
POUR INSTALLATIONS CANADIENNES

**CAUTION: NOT SUITABLE FOR USE ON SYSTEMS EXCEEDING 150V-TO-GROUND ATTENTION: NE CONVIENT PAS AUX INSTALLATIONS DE PLUS DE 150 V A LA TERRE**

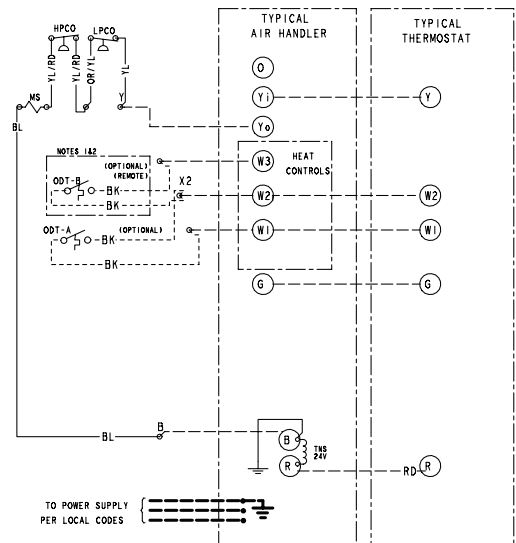
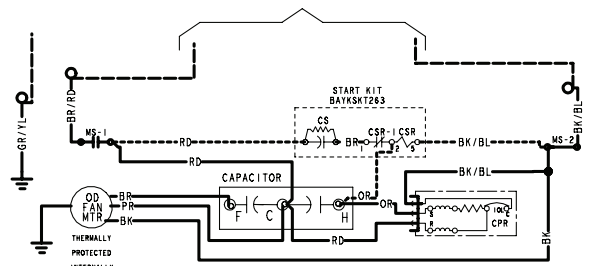
#### ⚠ CAUTION

**USE COPPER CONDUCTORS ONLY!**  
UNIT TERMINALS ARE NOT DESIGNED TO ACCEPT OTHER TYPES OF CONDUCTORS.  
Failure to do so may cause damage to the equipment.

PRINTED FROM D157097P01

### 4TTR3042D1

TO POWER SUPPLY PER UNIT NAMEPLATE AND LOCAL CODES



- NOTES:
1. IF ODT-B IS NOT USED, ADD JUMPER BETWEEN W2 & W3 AT AIR HANDLER. IF USED, ODT-B MUST BE MOUNTED REMOTE OF CONTROL BOX IN AN APPROVED WEATHER PROOF ENCLOSURE.
  2. IF ODT-A IS NOT USED, ADD JUMPER BETWEEN W1 & W2 AT AIR HANDLER.
  3. LOW VOLTAGE (24 V) FIELD WIRING MUST BE 18 AWG MIN.

FOR CANADIAN INSTALLATIONS  
POUR INSTALLATIONS CANADIENNES

**CAUTION: NOT SUITABLE FOR USE ON SYSTEMS EXCEEDING 150V-TO-GROUND ATTENTION: NE CONVIENT PAS AUX INSTALLATIONS DE PLUS DE 150 V A LA TERRE**

#### ⚠ WARNING

**HAZARDOUS VOLTAGE!**  
DISCONNECT ALL ELECTRICAL POWER INCLUDING REMOTE DISCONNECTS BEFORE SERVICING.  
Failure to disconnect power before servicing can cause severe personal injury or death.

#### ⚠ CAUTION

**USE COPPER CONDUCTORS ONLY!**  
UNIT TERMINALS ARE NOT DESIGNED TO ACCEPT OTHER TYPES OF CONDUCTORS.  
Failure to do so may cause damage to the equipment.

PRINTED FROM D157047P01

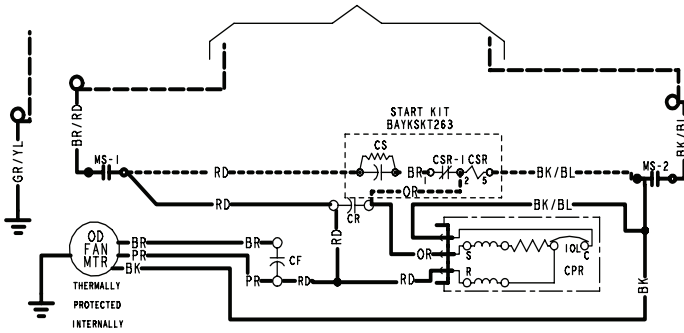
# Electrical Data

## SCHEMATIC DIAGRAMS

(SEE LEGEND)

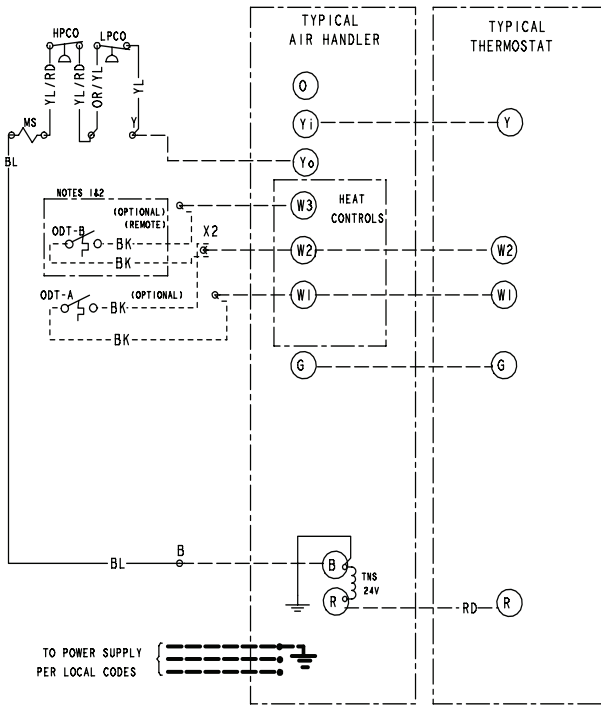
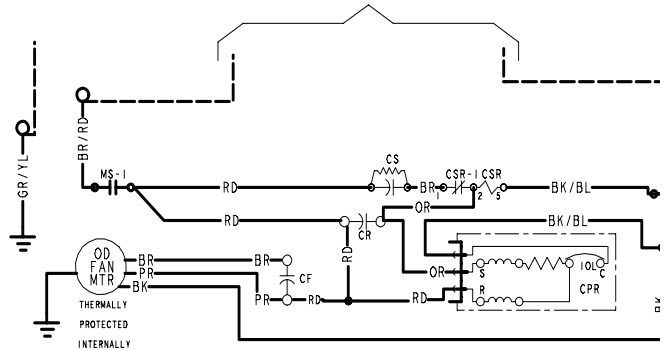
### 4TTR3048D1

TO POWER SUPPLY PER UNIT NAMEPLATE AND LOCAL CODES



### 4TTR3060D1

TO POWER SUPPLY PER UNIT NAMEPLATE AND LOCAL CODES



- NOTES:
- IF ODT-B IS NOT USED, ADD JUMPER BETWEEN W2 & W3 AT AIR HANDLER. IF USED, ODT-B MUST BE MOUNTED REMOTE OF CONTROL BOX IN AN APPROVED WEATHER PROOF ENCLOSURE.
  - IF ODT-A IS NOT USED, ADD JUMPER BETWEEN W1 & W2 AT AIR HANDLER.
  - LOW VOLTAGE (24 V) FIELD WIRING MUST BE 18 AWG MIN.

FOR CANADIAN INSTALLATIONS  
POUR INSTALLATIONS CANADIENNES

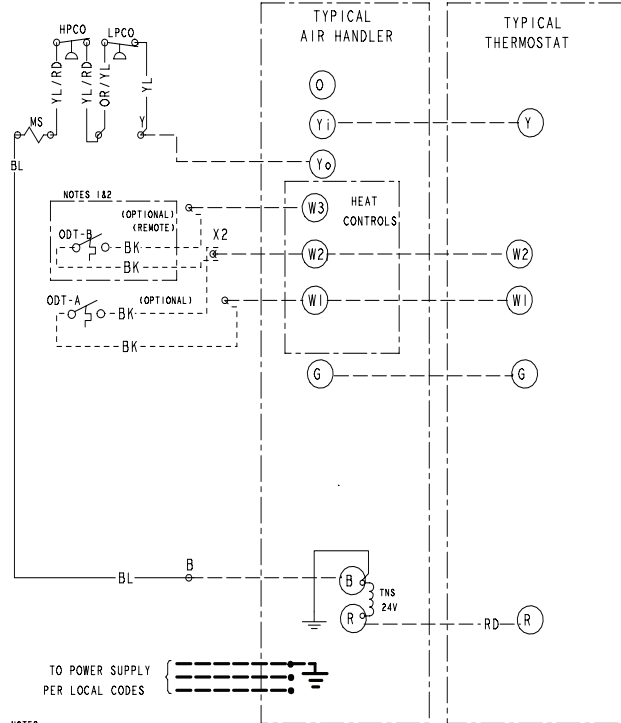
CAUTION: NOT SUITABLE FOR USE ON SYSTEMS EXCEEDING 150V-TO-GROUND  
ATTENTION: NE CONVIENT PAS AUX INSTALLATIONS DE PLUS DE 150 V A LA TERRE

#### ⚠ WARNING

HAZARDOUS VOLTAGE!  
DISCONNECT ALL ELECTRICAL POWER INCLUDING REMOTE DISCONNECTS BEFORE SERVICING.  
Failure to disconnect power before servicing can cause severe personal injury or death.

#### ⚠ CAUTION

USE COPPER CONDUCTORS ONLY!  
UNIT TERMINALS ARE NOT DESIGNED TO ACCEPT OTHER TYPES OF CONDUCTORS.  
Failure to do so may cause damage to the equipment.



- NOTES:
- IF ODT-B IS NOT USED, ADD JUMPER BETWEEN W2 & W3 AT AIR HANDLER. IF USED, ODT-B MUST BE MOUNTED REMOTE OF CONTROL BOX IN AN APPROVED WEATHER PROOF ENCLOSURE.
  - IF ODT-A IS NOT USED, ADD JUMPER BETWEEN W1 & W2 AT AIR HANDLER.
  - LOW VOLTAGE (24 V) FIELD WIRING MUST BE 18 AWG MIN.

FOR CANADIAN INSTALLATIONS  
POUR INSTALLATIONS CANADIENNES

CAUTION: NOT SUITABLE FOR USE ON SYSTEMS EXCEEDING 150V-TO-GROUND  
ATTENTION: NE CONVIENT PAS AUX INSTALLATIONS DE PLUS DE 150 V A LA TERRE

#### ⚠ WARNING

HAZARDOUS VOLTAGE!  
DISCONNECT ALL ELECTRICAL POWER INCLUDING REMOTE DISCONNECTS BEFORE SERVICING.  
Failure to disconnect power before servicing can cause severe personal injury or death.

#### ⚠ CAUTION


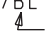
USE COPPER CONDUCTORS ONLY!  
UNIT TERMINALS ARE NOT DESIGNED TO ACCEPT OTHER TYPES OF CONDUCTORS.  
Failure to do so may cause damage to the equipment.












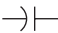




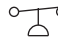

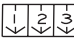
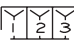



# Electrical Data

## SCHEMATIC DIAGRAMS

### LEGEND

	COLOR OF WIRE		
BK/BL	BLACK WIRE WITH BLUE MARKER		
	COLOR OF MARKER		
BK	BLACK	OR	ORANGE
BL	BLUE	RD	RED
BR	BROWN	WH	WHITE
		YL	YELLOW
		GR	GREEN
		PR	PURPLE

### SYMBOLS

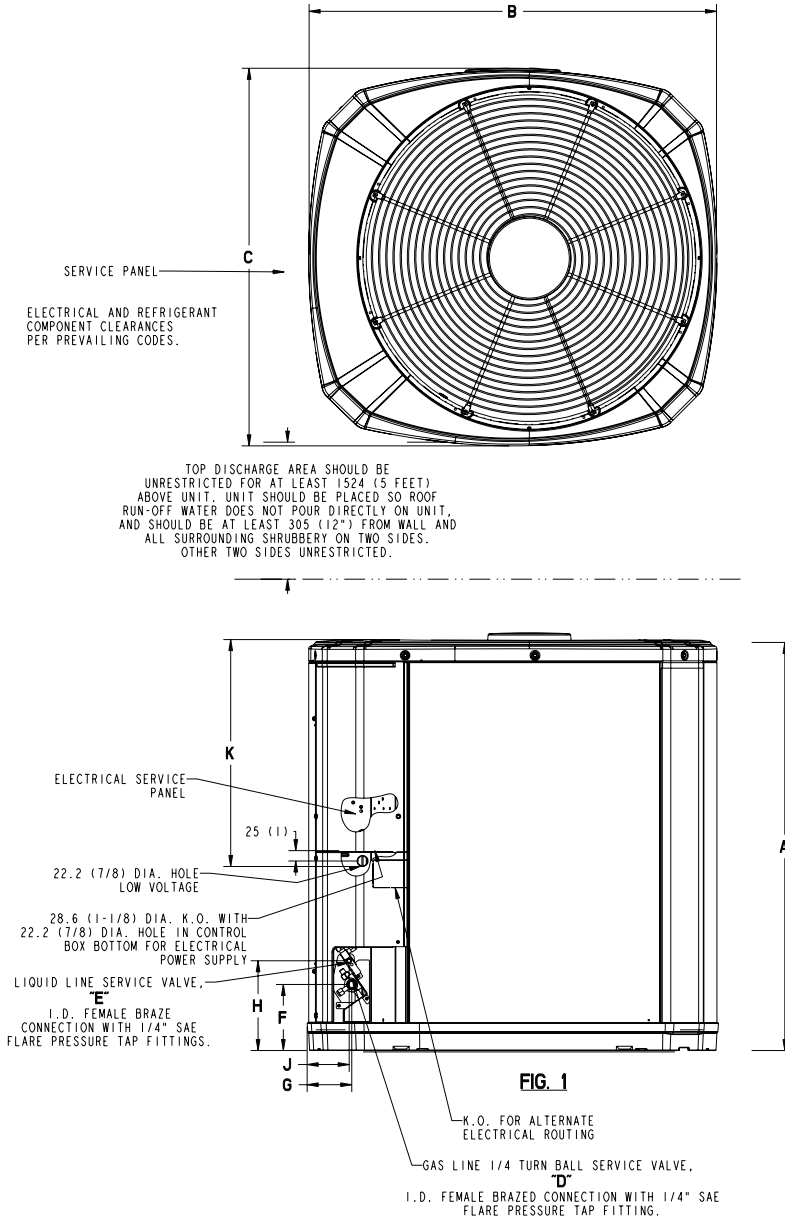
	24 V.	}	FACTORY WIRING
	LINE V.		
	24 V.	}	FIELD WIRING
	LINE V.		
	FIELD INSTALLED FACTORY WIRING		
	GROUND		
	JUNCTION		
	WIRE NUT OR CONNECTOR		
	COIL		
	CAPACITOR		
	RELAY CONTACT (N.O.)		
	RELAY CONTACT (N.C.)		
	THERMISTOR		
	INTERNAL OVERLOAD PROTECTOR		
	PRESSURE ACTUATED SWITCH		
	TEMP. ACTUATED SWITCH		
	POL. PLUG FEMALE HOUSING (MALE TERM.)		
	POL. PLUG MALE HOUSING (FEMALE TERM.)		
	RESISTOR OR HEATING ELEMENT		
	MOTOR WINDING		
	TERMINAL		

CA	COOLING ANTICIPATOR	LPCO	LOW PRESSURE CUTOFF SW.
CBS	COIL BOTTOM SENSOR	MS	COMPRESSOR MOTOR CONTACTOR
CF	FAN CAPACITOR	ODA	OUTDOOR ANTICIPATOR
CN	WIRE CONNECTOR	OFT	OUTDOOR FAN THERMOSTAT
CPR	COMPRESSOR	ODS	OUTDOOR TEMPERATURE SENSOR
CR	RUN CAPACITOR	ODT	OUTDOOR THERMOSTAT
CS	STARTING CAPACITOR	RHS	RESISTANCE HEAT SWITCH
CSR	CAPACITOR SWITCHING RELAY	SC	SWITCHOVER VALVE SOLENOID
DFC	DEFROST CONTROL	SM	SYSTEM "ON-OFF" SWITCH
F	INDOOR FAN RELAY	TDL	DISCHARGE LINE THERMOSTAT
HA	HEATING ANTICIPATOR	TNS	TRANSFORMER
HPCO	HIGH PRESSURE CUTOFF SW.	TS	HEATING-COOLING THERMOSTAT
IOL	INTERNAL OVERLOAD PROTECTOR	TSH	HEATING THERMOSTAT

# Dimensions

## 4TTR3 OUTLINE DRAWING

NOTE: ALL DIMENSIONS ARE IN MM (INCHES)



MODELS	BASE	FIG.	A	B	C	D	E	F	G	H	J	K
4TTR3018E1	3	1	730 (28-3/4)	829 (32-5/8)	756 (29-3/4)	5/8	3/8	143 (5-5/8)	92 (3-5/8)	210 (8-1/4)	79 (3-1/8)	508 (20)
4TTR3024E1	3	1	730 (28-3/4)	829 (32-5/8)	756 (29-3/4)	5/8	3/8	143 (5-5/8)	92 (3-5/8)	210 (8-1/4)	79 (3-1/8)	508 (20)
4TTR3030D1	3	1	730 (28-3/4)	829 (32-5/8)	756 (29-3/4)	3/4	3/8	143 (5-5/8)	92 (3-5/8)	210 (8-1/4)	79 (3-1/8)	508 (20)
4TTR3036D1	3	1	832 (32-3/4)	829 (32-5/8)	756 (29-3/4)	3/4	3/8	143 (5-5/8)	92 (3-5/8)	210 (8-1/4)	79 (3-1/8)	508 (20)
4TTR3042D1	4	1	741 (29-1/8)	946 (37-1/4)	870 (34-1/4)	3/4	3/8	152 (6)	98 (3-7/8)	219 (8-5/8)	86 (3-3/8)	508 (20)
4TTR3048D1	4	1	741 (29-1/8)	946 (37-1/4)	870 (34-1/4)	7/8	3/8	152 (6)	98 (3-7/8)	219 (8-5/8)	86 (3-3/8)	508 (20)
4TTR3060D1	4	1	943 (37-1/8)	946 (37-1/4)	870 (34-1/4)	7/8	3/8	152 (6)	98 (3-7/8)	219 (8-5/8)	86 (3-3/8)	508 (20)



# Mechanical Specification Options

---

## General

The 4TTR3-D models shall be fully charged from the factory for matched indoor section and up to 15 feet of piping. This unit must be designed to operate at outdoor ambient temperatures as high as 115°F. Cooling capacities shall be matched with a wide selection of air handlers and furnace coils that are AHRI certified. The unit is certified to UL 1995. Exterior must be designed for outdoor application.

## Casing

Unit casing is constructed of heavy gauge, galvanized steel and painted with a weather-resistant powder paint. Corrosion and weatherproof CMBP-G30 DuraTuff™ base.

## Refrigerant Controls

Refrigeration system controls include condenser fan and compressor contactor. High and low pressure controls are inherent to the compressor. Another standard feature is the liquid line dryer.

## Compressor

The Climatuff® compressor features internal over temperature and pressure protector, total dipped hermetic motor and thermostatically controlled sump heater. Other features include: Centrifugal oil pump, and low vibration and noise.

## Condenser Coil

The Spine Fin™ coil shall be continuously wrapped, corrosion resistant all aluminum with minimum brazed joints. This coil is 3/8 inch O.D. seamless aluminum glued to a continuous aluminum fin. Coils are lab tested to withstand 2,000 pounds of pressure per square inch. The outdoor coil provides low airflow resistance and efficient heat transfer. The coil is protected on all four sides by louvered panels.

## Low Ambient Cooling

As manufactured, this unit has a cooling capability to 55°F. The addition of an evaporator defrost control permits operation to 30°F. The addition of a low ambient kit with TXV permits low ambient cooling to 0°F.

## Accessories

**Thermostats** — Heating/Cooling (manual and automatic changeover). Sub-base to match thermostat and locking thermostat cover.

**Evaporator Defrost Control** — See Low Ambient Cooling.

**Outdoor Thermostat** — Supplemental heat outdoor ambient lockout from 46 to -10°F.



---

09/11

---

---

---



Trane  
[www.trane.com](http://www.trane.com)

*Trane has a policy of continuous product and product data improvement and it reserves the right to change design and specifications without notice.*