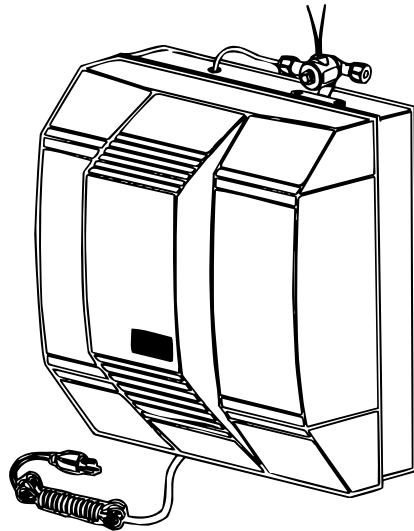


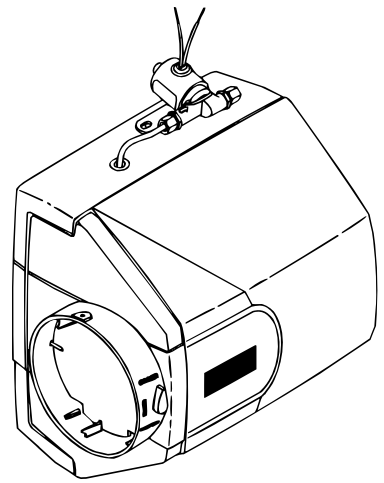


Fan Powered and Bypass Humidifiers

THUMD500APA00B - Fan Powered Humidifier
THUMD300ABA00B - Large Bypass Humidifier
THUMD200ABM00B - Small Bypass Humidifier



THUMD500A



THUMD200A/300A

PUB. NO. 22-1821-02



Features and Benefits

Features: THUMD500A

- Flow Through Fan Powered Humidifier
- High Performance Humidifier Delivers up to 18 Gallons per Day
- Humidifies an Average Home of up to 2100 SqFt
- Automatic Humidifier Control with O.D. Sensor for up to 50% more Humidity
- Front Cover Access for easy replacement of humidifier pad.
- Aluminum Humidifier Pad Treated with Ceramic Clay for Enhanced Pad Performance
- Reliable Brass Solenoid Valve w/Stainless Steel Valve Seat
- UV Resistant Cabinet and Scale Control Insert
- Saddle Valve
- Polyslate Gray Housing matches Furnace Cabinet Color
- 120V Power Line Cord

Features: THUMD200,300A

- THUMD300A Bypass delivers up to 17 Gallons per day
- THUMD200A delivers up to 12 Gallons per day.
- THUMD300A Automatic Humidifier Control and O.D. Sensor for up to 50% more Humidity
- THUMD200A Manual Humidifier Control
- UV Resistant Cabinet and Scale Control Insert
- Front Cover Access for easy replacement of humidifier pad.
- Aluminum Humidifier Pad Treated with Ceramic Clay for Enhanced Pad Performance
- Reliable Brass Solenoid Valve w/Stainless Steel Valve Seat
- Field Convertible Duct Connection, Left or Right Side
- Built in Summer / Winter Damper
- Saddle Valve
- Polyslate Gray Housing matches Furnace Cabinet Color
- 24/120 V Transformer

Optional Equipment

OPTIONAL EQUIPMENT FOR HUMIDIFIERS

Large Humidifier Pad 13"x10"	BAYPAD02A1310A ^④ []
Small Humidifier Pad 9-7/8"x9-5/8"	BAYPAD01A1010A ^④ []
Automatic Humidifier Control	TCONTH01AAUTOA []
Current Sensing Relay	BAYRLY10ASENSA []
Adapter Plate (Duct Mount)	BAYPLT01AMHCOA []

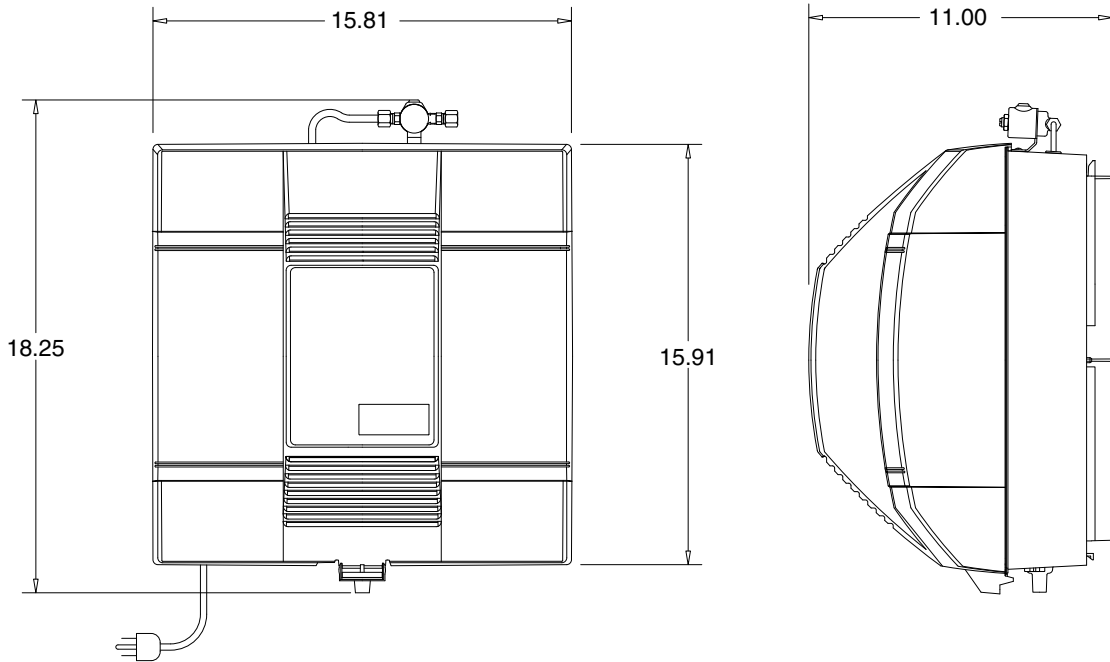
^④ Packaged 10 per carton.



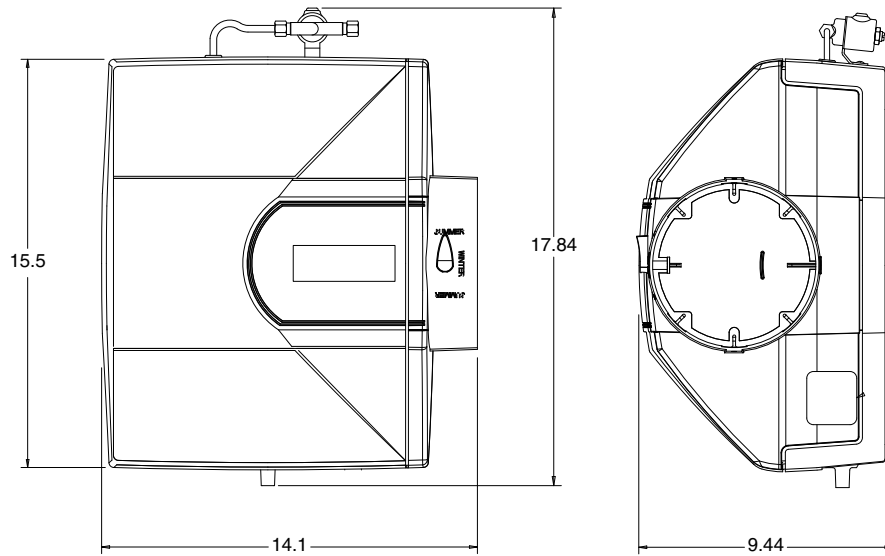
General Data

MODEL	THUMD500APA00B	THUMD300ABA00B	THUMD200ABA00B
RATED VOLTS/PH/HZ	120/1/60	24/1/60	24/1/60
RATE GALLONS / DAY	18	17	12
Water Feed Rate (Gal/hr)	6	6	3
AIRFLOW	Fan	Bypass	Bypass
Water Flow	Drain	Drain	Drain
120 V LINE CORD	Yes	N/A	N/A
Min. Brch. Cir. Ampacity 3	10	N/A	N/A
LOW VOLTAGE 24V 60 Hz			
Amps	.1	0.50	0.50
VA(Max)	2.4	12	12
Watts	2.4	6	6
CONNECTIONS			
Water (Potable) inlet	1/4-in Copper Tubing	1/4-in Copper Tubing	1/4-in Copper Tubing
Water Drain	1/2-in plastic hose	1/2-in plastic hose	1/2-in plastic hose
Bypass Opening (Duct)	N/A	6 in round	6 in round
DIMENSIONS			
Crated (in.)	18.4 x 17.2 x 13.5	18.7 x 15.0 x 11.5	15.8 x 15.2 x 11.5
Uncrated (in.) H x W x D	18.3 x 15.8 x 11.0	17.8 x 14.1 x 9.4	14.9 x 13.8 x 9.4
Duct Opening W x H	14-3/16 x 14-7/8	12.5 x 9.75	9-1/2 x 9-3/8
WEIGHT			
Shipping (lbs.) / Net (lbs.)	20 / 17	15 / 12	14 / 11
STANDARD EQUIPMENT (included)			
Humidistat	Automatic Humidifier Control 24 V	Automatic Humidifier Control 24 V	Manual Humidifier Control 24 V
Transformer	N/A	120V / 24V 12 VA	120V / 24V 12 VA
Water Valve	Solenoid, 24 VAC	Solenoid, 24 VAC	Solenoid, 24 VAC
Fan Motor	1/70 HP 120 VAC	N/A	N/A
Relay	SPST 24 VAC	N/A	N/A
Saddle Valve	Included	Included	Included
Damper (Summer / Winter)	N/A	Included	Included
ACCESSORIES (not included)			
Humidifier Pad Model No.	BAYPAD02A1310A	BAYPAD02A1310A	BAYPAD01A1010A
Size in.	13 x 10 x 1-11/16	13 x 10 x 1-11/16	9-7/8 x 9-5/8 x 1-11/16
Automatic Humidifier Control	Included	Included	TCONTH01AUTOA
Current Sensing Relay	BAYRLY10ASENSA	BAYRLY10ASENSA	BAYRLY10ASENSA
Duct Plate for Manual Humidifier Control	N/A	N/A	BAYPLT01AMHC0A

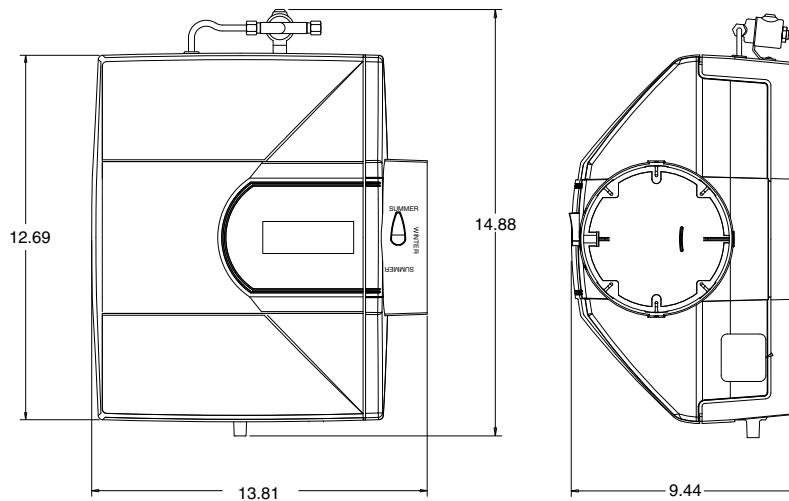
THUMD500APA00B FAN POWERED HUMIDIFIER



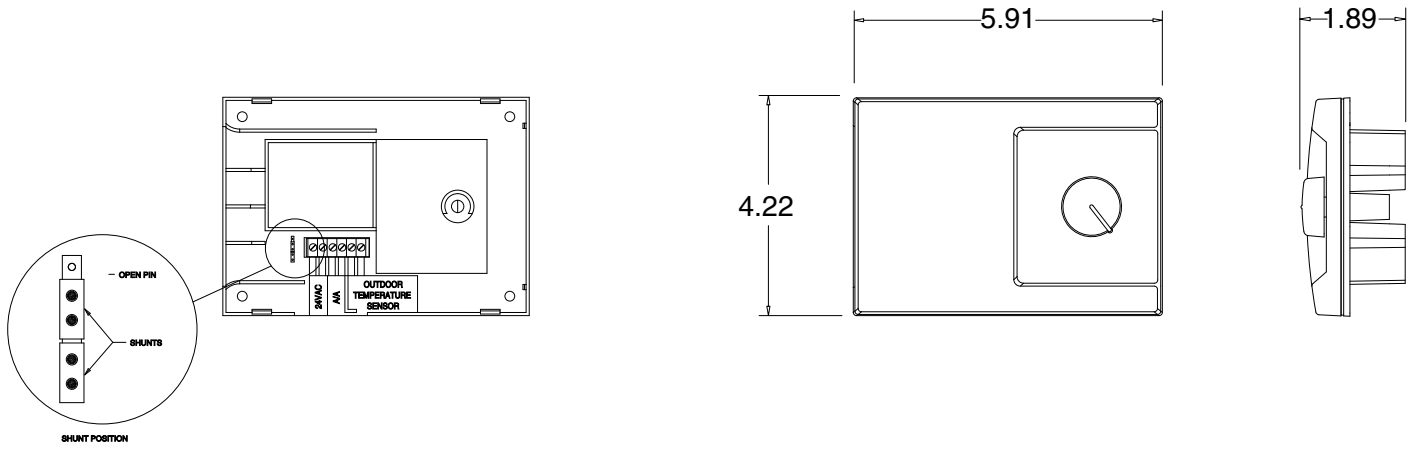
THUMD300ABA00B LARGE BYPASS HUMIDIFIER



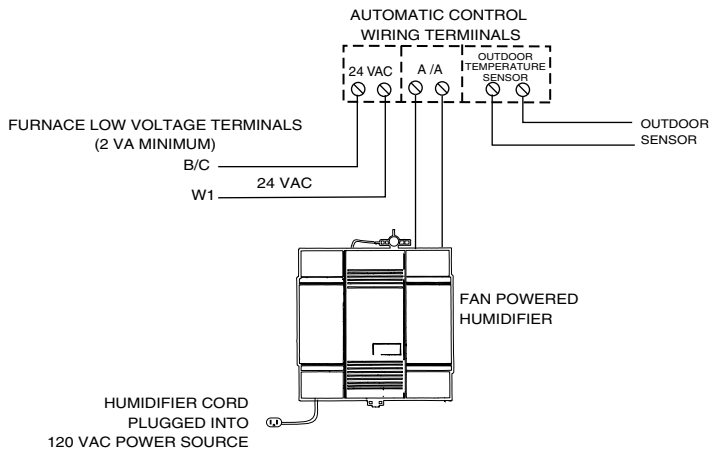
THUMD200ABM00B SMALL BYPASS HUMIDIFIER



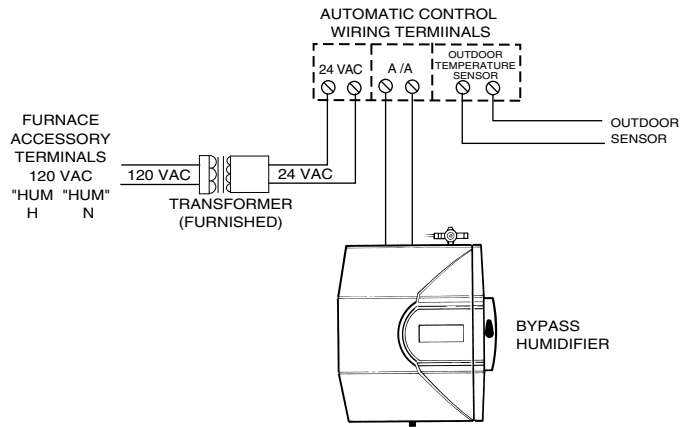
TCONTH01AUTOA AUTOMATIC HUMIDIFIER CONTROL



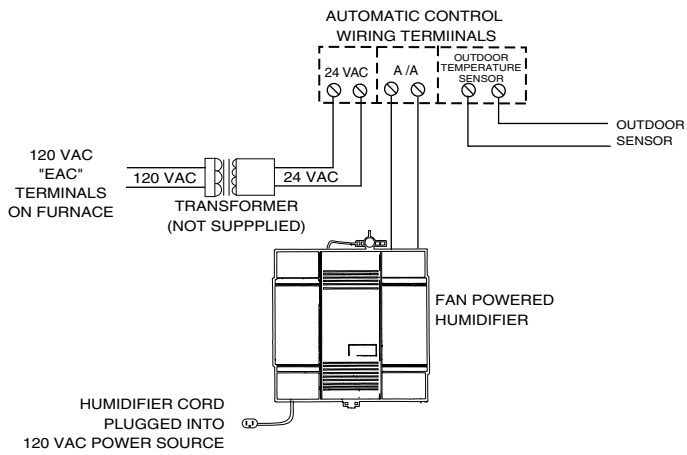
FOR OPERATION DURING "HEATING CALL" ONLY



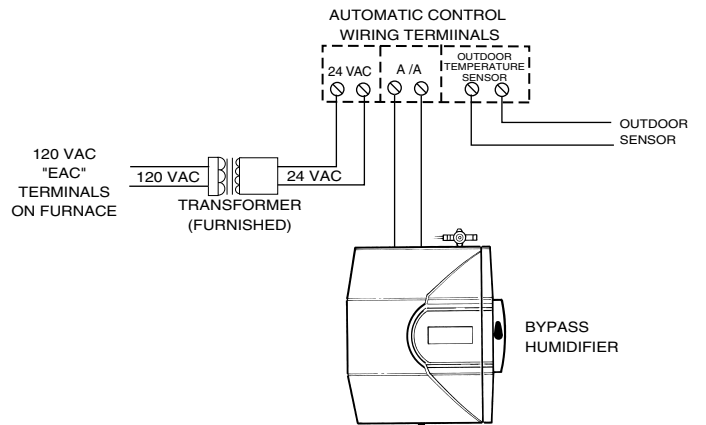
FOR OPERATION DURING "HEAT CALL" ONLY



FOR HUMIDIFIER OPERATION WHEN BLOWER IS ENERGIZED

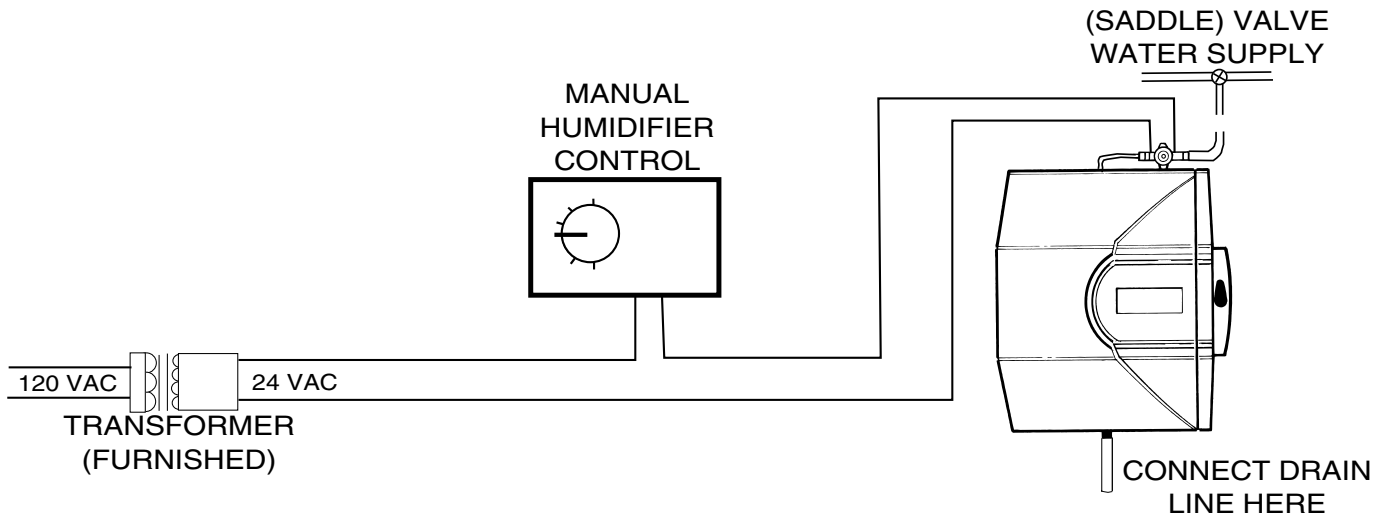
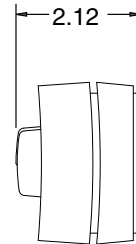
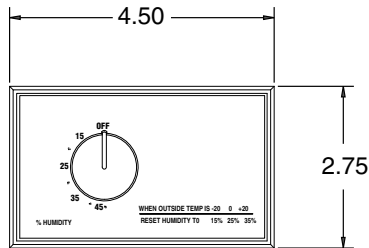


FOR HUMIDIFIER OPERATION WHEN BLOWER IS ENERGIZED



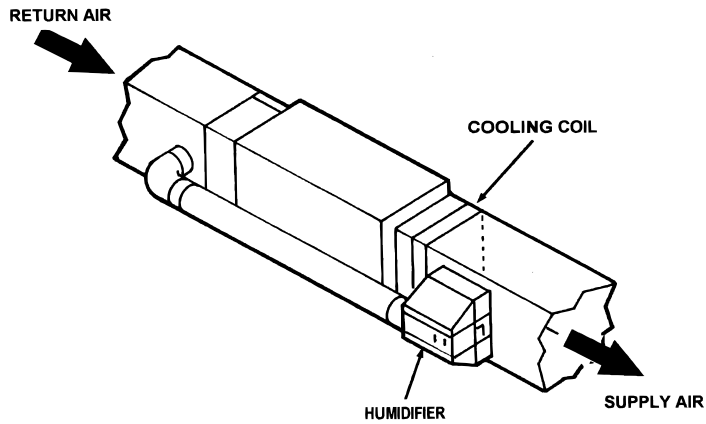


MANUAL HUMIDIFIER CONTROL (SHIP With THUMD200AB00B)

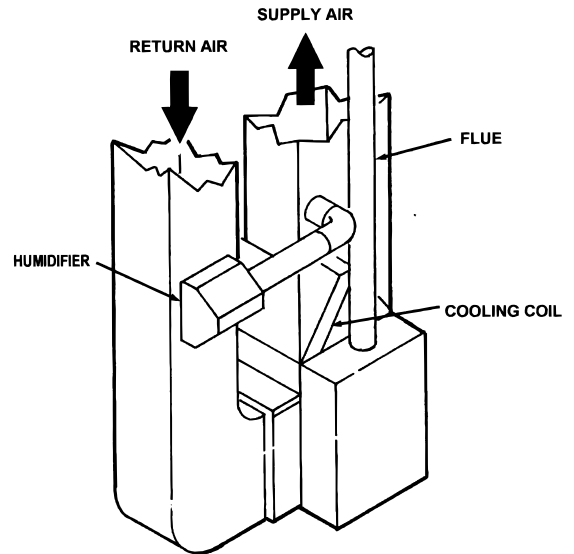


THUMD200ABM00B
SMALL BYPASS
HUMIDIFIER

SUGGESTED BYPASS HUMIDIFIER LOCATIONS

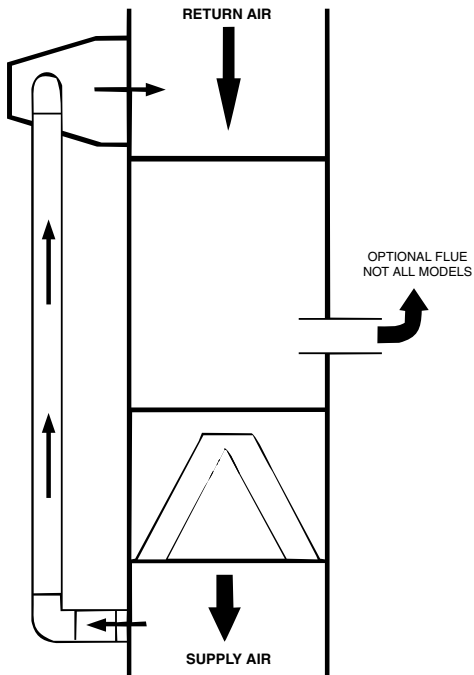


HORIZONTAL FURNACE

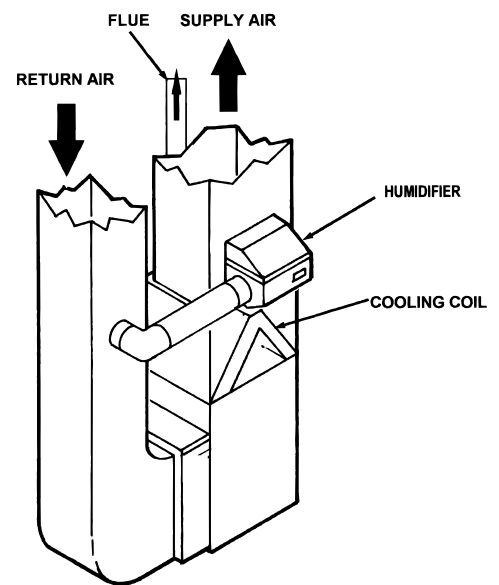


UPFLOW FURNACE

OPTION "B" FRONT OF FURNACE OR FRONT MOUNT



DOWNFLOW FURNACE



UPFLOW FURNACE

OPTION "A" REAR OF FURNACE OR REAR MOUNT



TRANE®

Trane
6200 Troup Highway
Tyler, TX 75707
www.trane.com

Literature Order Number	22-1821-02	05/09
File Number	22-1821-02	
Supersedes	22-1821-01	
Date	05/09	

Since **Trane** has a policy of continuous product and product data improvement, it reserves the right to change design and specifications without notice.