



Better solutions through innovation

Service Manual

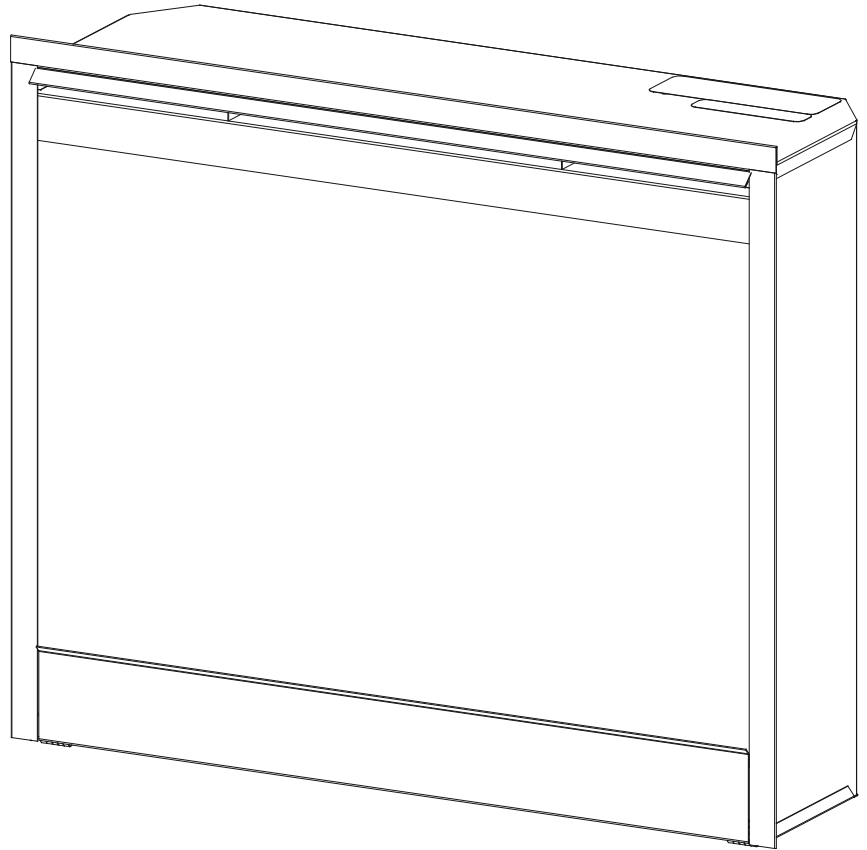
26" Self Trimming Fireplace with Integrated On/Off Remote

Model Numbers:

DF2608 - MOD / to A

DF2622 - MOD /

NBDF2608 - MOD / to D



REV	PCN	DATE
00	11527	Jul 20, 09
01	11658	Oct 13, 09
02	11879	Feb 12, 10
03		Oct 3, 11

Dimplex North America Limited
1367 Industrial Road • Cambridge ON Canada N1R 7G8
1-888-346-7539 www.dimplex.com

In keeping with our policy of continuous product development, we reserve the right to make changes without notice.

740020000R03

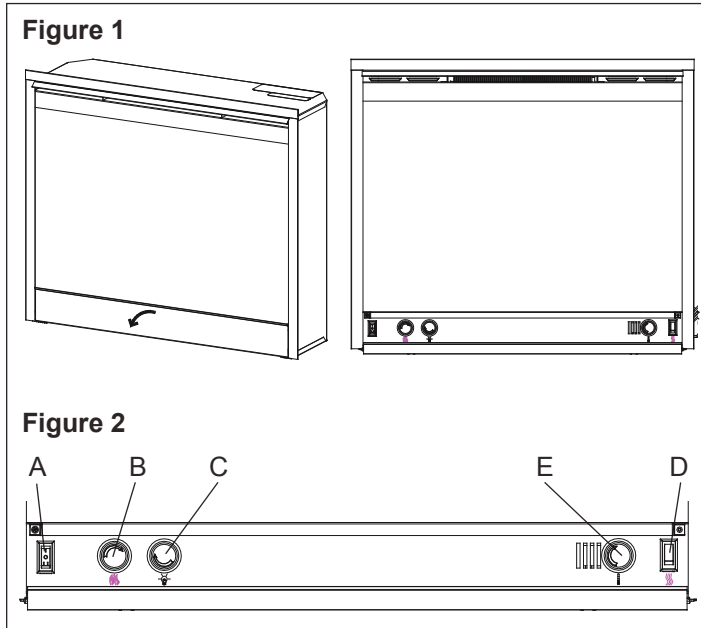
Table of Contents

- Operation. 3
- Exploded Parts Diagram - DF2608/NBDF2608. 4
- Wiring Diagram - DF2608 / NBDF2608. 5
- Exploded Parts Diagram - DF2622 6
- Wiring Diagram - DF2622 7
- Front Glass Replacement 8
- Light Bulb Replacement 8
- Mirror Replacement. 9
- Three Position On/Off Switch Replacement 10
- Heater On/Off Switch Replacement 10
- Light Dimmer Replacement. 11
- Flame Action Control Replacement. 12
- Flicker Motor/Flicker Rod Replacement 13
- Thermostat Control Replacement 14
- Remote Control Replacement 14
- Log Driver Control Board Replacement (DF2608 only). 15
- Heater Assembly Replacement 16
- Power Cord Replacement 17

Operation

This section will explain the function of each convenient control (Figure 2).

To access the controls, flip open the control panel cover towards the bottom of the fireplace (Figure 1).



A. Three Position On/Off Switch

The switch has two (2) on positions marked with “ I ” and “ II ”. The “ I ” position is for manual operation. In this position the built-in remote control is bypassed. The “ II ” position is for operating the unit with the provided remote control. When in “ II ” position the unit is operated with the ON and OFF buttons of the remote control. When the switch is in the center “ o ” position the unit is off..

B. Flame Action Control

Turn the Flame Action Control knob to adjust the flame action to the desired level.

C. Light Dimmer Control

Turn the Light Dimmer Control knob to increase or decrease the brightness of the interior of the fireplace.

D. Heater On/Off Switch

The Heater On/Off Switch supplies power to the heating unit when the Three Position On/Off Switch (A) is on (“ I ” or “ II ” positions).

E. Thermostat Control

To adjust the temperature to your individual requirements, turn the thermostat control clockwise all the way to turn on the heater. When the room reaches the desired temperature, turn the thermostat knob counter clockwise until you hear a click. Leave in this position to maintain the room temperature at its setting. For additional heat, turn clockwise until you hear the click again and the heater will turn on. To turn the heater off, rotate the knob fully counter clockwise.

! NOTE: The heater may emit a slight, harmless odor when first used. This odor is a normal condition caused by initial heating of internal heater parts and will not occur again.

Resetting The Temperature Cutoff Switch

This unit is equipped with a thermostat which controls the temperature of the room. It does this by turning the heater on and off. The heater is protected with a safety device to prevent overheating. Should the heater overheat, an automatic cut out will turn the heater off and it will not come back on without being reset. It can be reset by switching the Three Position On/Off Switch to Off (“ o ”) and waiting five (5) minutes before switching the unit back on.

! CAUTION: If you need to continuously reset the heater, unplug the unit and call Technical Support at 1-888-346-7539. Please have your model and serial number ready when calling.

Remote Control

The fireplace is supplied with an integrated on/off remote control.

! NOTE: Ensure that the Three Position On/Off Switch on the fireplace is set to the remote control setting (“ II ” position).

To operate, push the ON button to turn the fireplace on, push the OFF button to turn the fireplace off.

Battery Replacement (Figure 3)

To replace the battery:

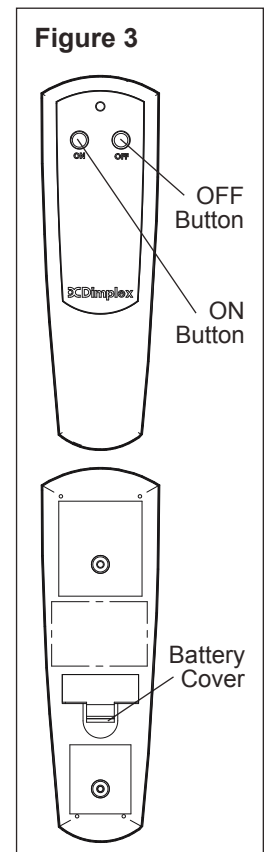
- Slide battery cover open on the hand held transmitter.
- Correctly install one (1) 12 Volt (A23) battery in the battery holder.
- Close the battery cover.

Remote Initialization

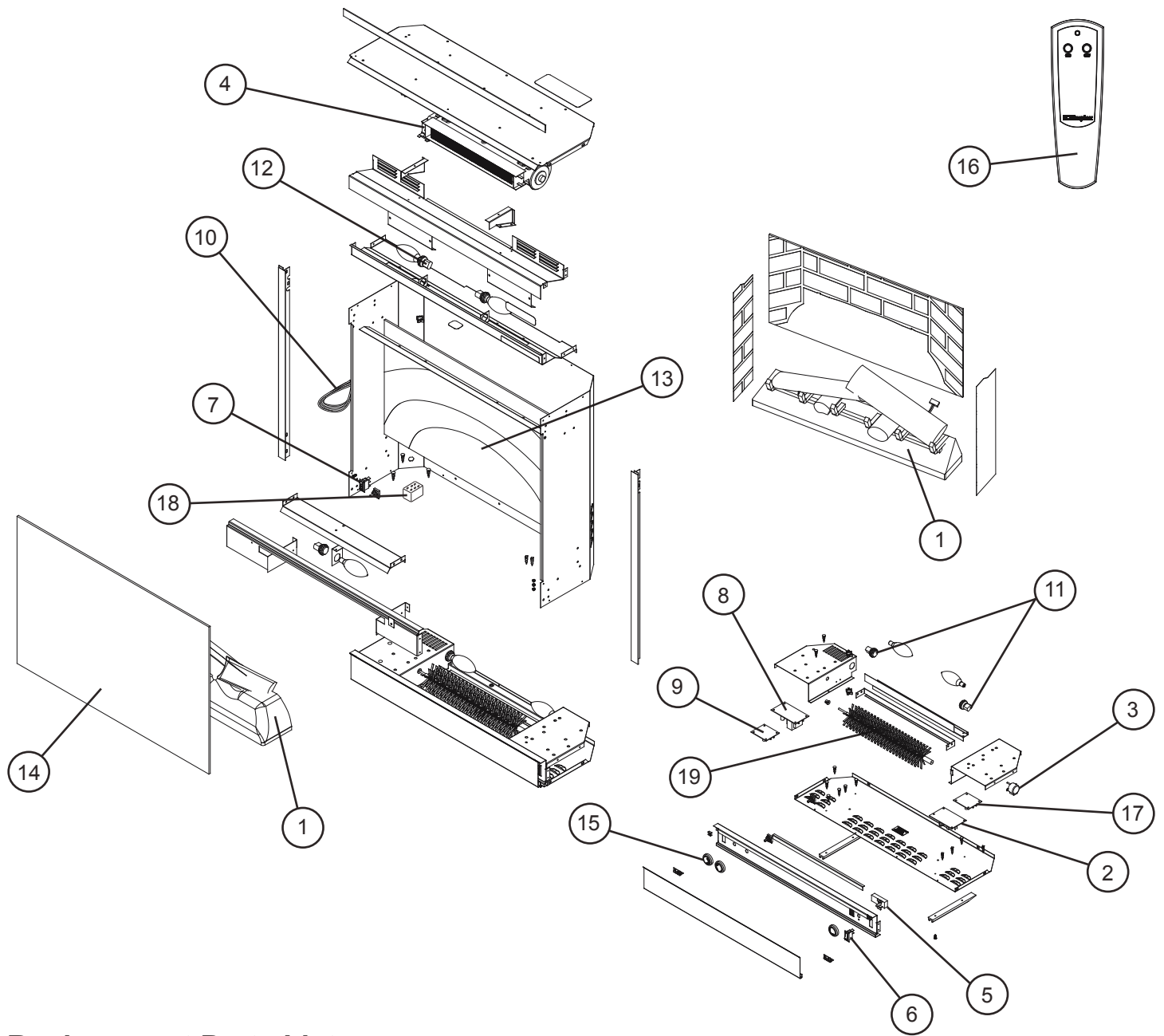
Follow these steps for remote control initialization and if required, reinitialization:

1. Disconnect power to fireplace.
2. Set the Three Position On/Off Switch to the Remote position (Figure 2A).
3. Wait a minimum of five (5) seconds and then reacquire power to fireplace.
4. Within 10 seconds of reacquiring power, press the ON button located on the remote control transmitter.

! NOTE: You will have only 10 seconds to perform this last step. Failure to do so will result in these steps needing to be followed again.



Exploded Parts Diagram - DF2608/NBDF2608



Replacement Parts List

DF2608

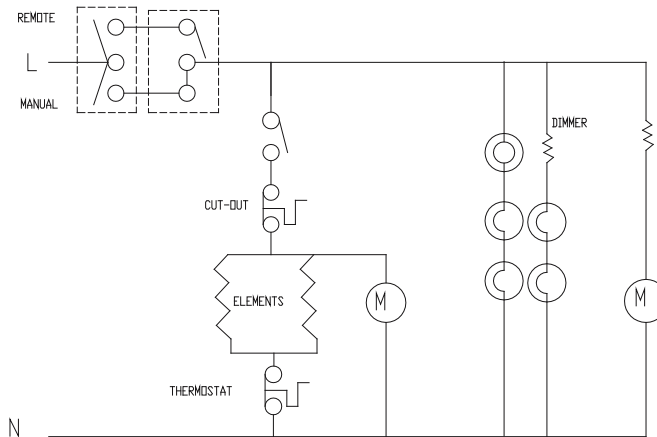
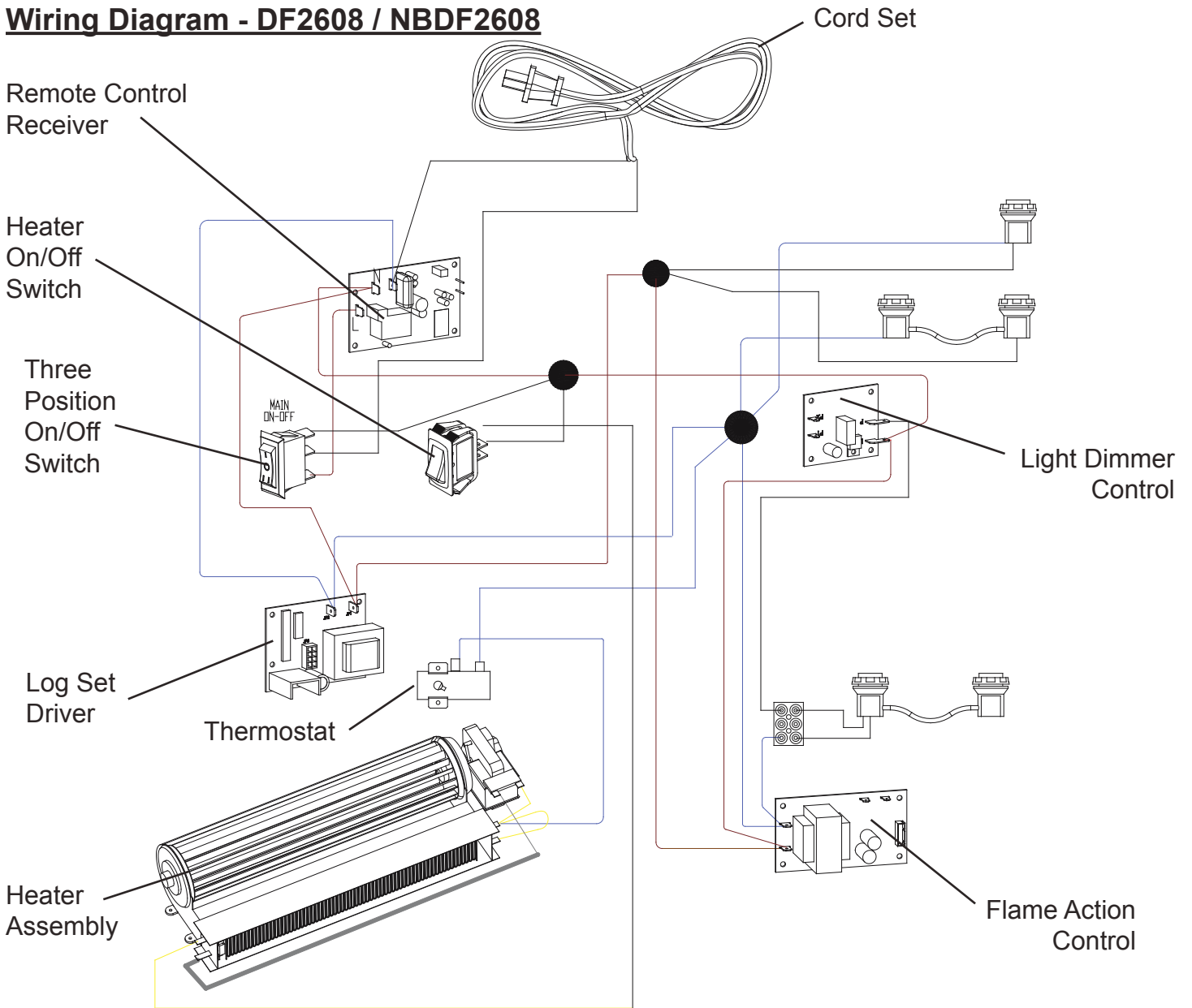
Part Number

6904400359

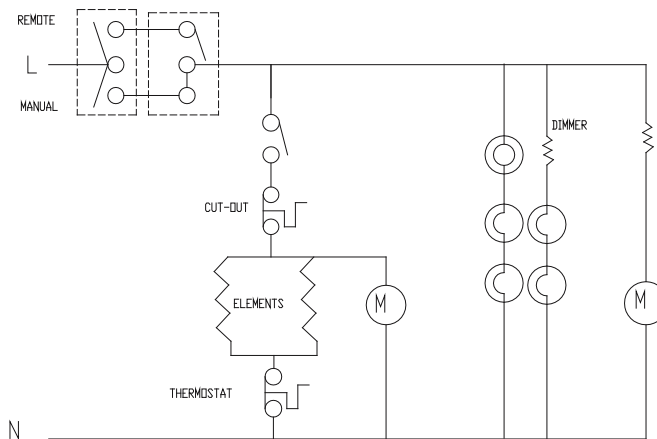
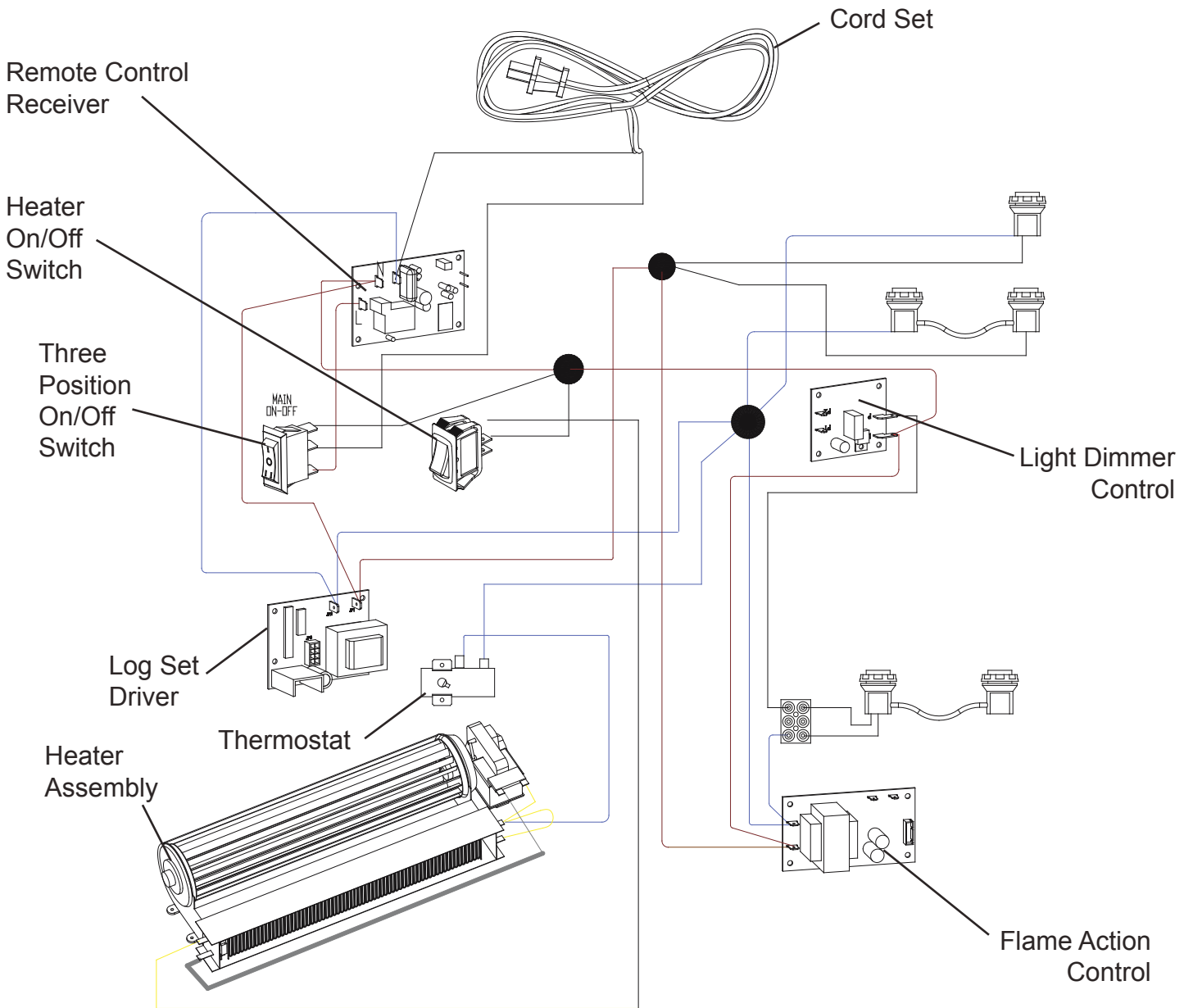
Replacement Part:

1. Log Set	0439560100RP	11. Single Lamp Holder	2500150300RP
2. Log Set Driver	3000390100RP	12. Double Lamp Holder	2500400300RP
3. Flicker Motor	3000240200KIT	13. Mirror	5901210200RP
4. Heater Assembly (with cutout)	2000330100RP	Mirror (NBDF2608)	5901450100RP
5. Thermostat	2300150100RP*	14. Front Glass	5901220100RP
6. Heater On/Off Switch	2800210500RP	15. Control Knob (3 on unit)	8800000200RP
7. Three Position Selection Switch	2800210100RP	16. Remote Transmitter	3000370500RP
8. Flame Action Control	3000240500RP	17. Remote Receiver	3000380200RP
9. Light Dimmer Control	3000250100RP	18. Terminal Block	4000070100RP
10. Cord Set	4100040200RP	19. Flicker Rod	5901250100RP

Wiring Diagram - DF2608 / NBDF2608



Wiring Diagram - DF2622



Front Glass Replacement

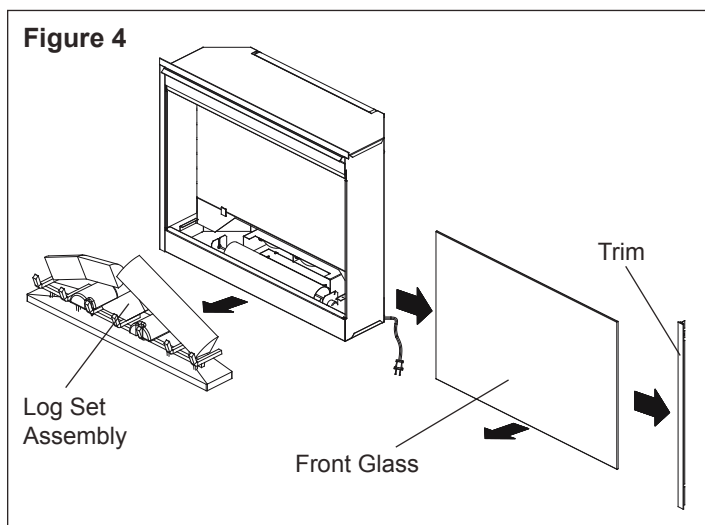
If unit was operating prior to servicing allow at least 10 minutes for light bulbs and heating element to cool off to avoid accidental burning of skin.

Disconnect power before attempting any maintenance or cleaning to reduce the risk of electric shock or damage to persons.

Replacement Procedure

1. Slide firebox out of mantel.
2. Lay unit on it's back for safe removal of Front Glass.
3. Remove three (3) Phillips screws from right side of Trim.
4. Remove Trim.
5. Slide glass to the right side of the firebox to remove (Figure 4).
6. Reassemble using replacement Front Glass in reverse order as described above.

⚠ CAUTION: Even though the glass is safety glass it may break if bumped, struck or dropped. Care must be taken when handling the glass.



Light Bulb Replacement

Allow at least five (5) minutes for the light bulbs to cool before touching them to avoid accidental burning of the skin. The light bulbs need to be replaced when you notice a dark section of the flame or when the clarity and detail of the log ember bed exterior reduces. There are three (3) bulbs under the Log Set Assembly, which generate the flames and embers, and two (2) bulbs above that illuminate the log exterior.

It is a good idea to replace all of the light bulbs at one time if they are close to the end of their rated life. Group replacement will reduce the number of times you need to open the unit to replace the light bulbs.

Upper Bulb Requirements:

A quantity of two (2) chandelier or candelabra bulbs with an E-12 (small) socket base, 15 Watt rating are required.

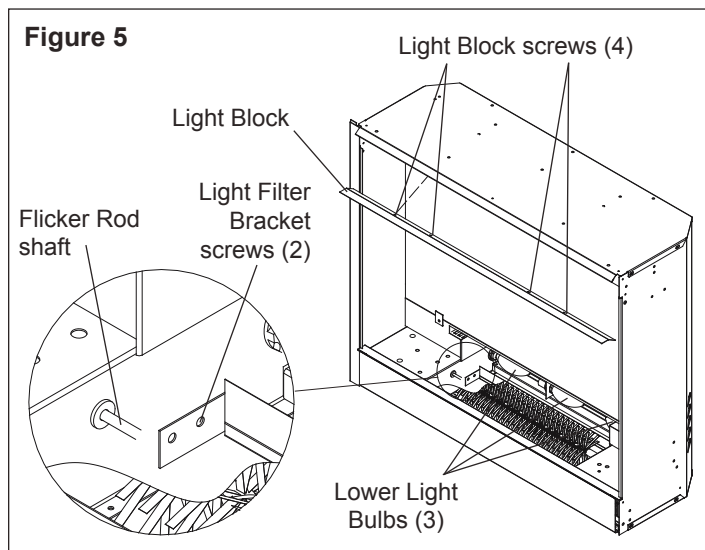
Do not exceed 15 Watts per bulb

Upper Bulb Replacement Procedure

1. Slide firebox out of mantel.
2. Lay unit on it's back for safe removal of Front Glass.
3. Remove three (3) Phillips screws from right side of Trim.
4. Remove Trim.
5. Slide glass to the right side of the firebox to remove (Figure 4).

⚠ CAUTION: Even though the glass is safety glass it may break if bumped, struck or dropped. Care must be taken when handling the glass.

6. Upper bulbs are located in the upper left and upper right corners of firebox, behind the Light Block Bracket (Figure 5).



7. Remove the four (4) Phillips screws that attach the Light Block to the firebox (Figure 5).
8. Unscrew bulbs counter clockwise to remove.
9. Insert new bulbs and screw in clockwise.
10. Reattach Light Block Bracket.
11. Lay unit on it's back, slide Front Glass back into position and attach Trim.

Lower Bulb Requirements:

A quantity of three (3) chandelier or candelabra bulbs with an E-12 socket base, 60 Watt rating are required.

Do not exceed 60 Watts per bulb

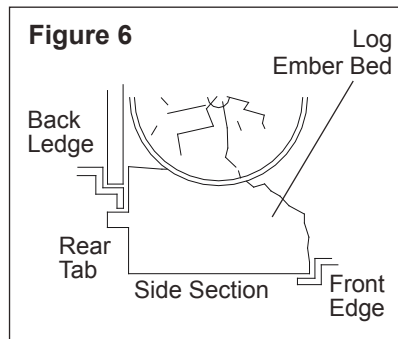
Lower Bulb Replacement Procedure

1. Slide firebox out of mantel.
2. Lay unit on it's back for safe removal of Front Glass.
3. Remove three (3) Phillips screws from right side of Trim.

4. Remove Trim.
5. Slide glass to right side of firebox to remove (Figure 4).

⚠ CAUTION: Even though the glass is safety glass it may break if bumped, struck or dropped. Care must be taken when handling the glass.

6. Pull the front edge of the plastic Ember Bed or plastic grate up and forward until the rear tab releases from the ledge located at the bottom of the Mirror (Figure 6).



! IMPORTANT: Only handle the Log Set Assembly by the Ember Bed or plastic grate.

! NOTE: Log Set Assembly fits tightly into firebox, some force may be necessary to remove.

7. Disconnect LED harness (DF2608 only).
8. Set Log Set Assembly in front of firebox.
9. Remove Flicker Rod by pulling rod to the right, towards the Flicker Motor. Bend the Flicker Rod enough to clear the bracket on the left, lift out and pull Flicker Rod off of Flicker Motor shaft (Figure 5, page 8).
10. Remove four (4) Phillips screws (two (2) per side) which attach Light Filter Bracket for easier access to light bulbs (Figure 5, page 8).
11. Unscrew bulbs counter clockwise to remove.
12. Insert new bulbs and screw in clockwise.
13. Replace Light Filter Bracket and Flicker Rod.
14. Reconnect LED harness (DF2608 only).
15. Install the Log Set Assembly by placing the front, bottom edge of the Ember Bed in the track behind the control panel. Once in place, push down on the back edge of the Ember Bed until the rear tab snaps into place under the Mirror (Figure 6).
16. Lay unit on it's back and slide Front Glass back into position and attach Trim.

Mirror Replacement

If the fireplace was operating prior to servicing allow at least 10 minutes for light bulbs and heating element to cool off to avoid accidental burning of skin.

Disconnect power before attempting any maintenance or cleaning to reduce the risk of electric shock or damage to persons.

Replacement Procedure

1. Slide firebox out of mantel.
2. Lay unit on it's back for safe removal of Front Glass.
3. Remove three (3) Phillips screws from the right side of Trim.
4. Remove Trim.
5. Slide glass to right side of fireplace to remove (Figure 4, Page 8).

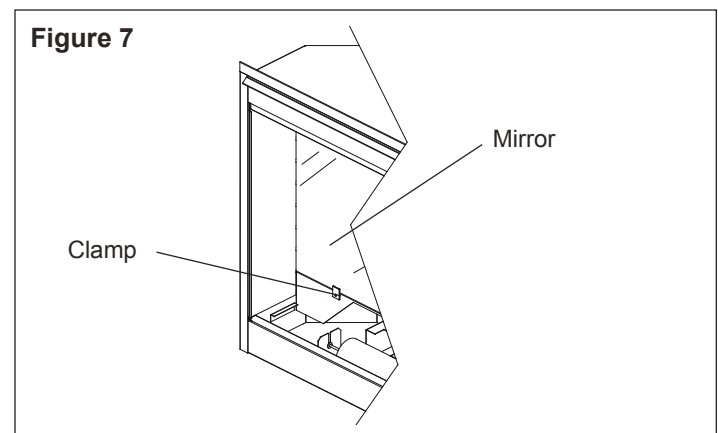
⚠ CAUTION: Even though the glass is safety glass it may break if bumped, struck or dropped. Care must be taken when handling the glass.

6. Pull the front edge of the plastic Ember Bed or plastic grate up and forward until the rear tab releases from the ledge located at the bottom of the Mirror.

! IMPORTANT: Only handle the Log Set Assembly by the Ember Bed or plastic grate.

! NOTE: Log Set Assembly fits tightly into firebox, some force may be necessary to remove.

7. Loosen but do not remove the two (2) Philips screws that clamp the Mirror in place, and swivel down so that the clamp clears the edge of the Mirror (Figure 7).



8. Push the Mirror out from behind to clear the frame and remove.
9. Insert replacement Mirror top end first and lay the bottom end gently in the bottom track of the frame.
10. Tighten clamps back into place and reassemble firebox in reverse order as described above.

Three Position On/Off Switch Replacement

If the fireplace was operating prior to servicing allow at least 10 minutes for light bulbs and heating element to cool off to avoid accidental burning of skin.

Disconnect power before attempting any maintenance or cleaning to reduce the risk of electric shock or damage to persons.

Replacement Procedure:

1. Remove the firebox from the mantel.
2. Lay unit on its back.
3. Remove the 12 Philips screws that fasten the bottom cover to the rest of the firebox. There are: two (2) screws on each side; two (2) screws on the back panel (you may have to tip the bottom of the firebox up if it is laying on its back), four (4) screws in the front directly under the control panel; and two (2) screws on the bottom of the firebox (see Figure 8). The bottom panel is now free to be removed.

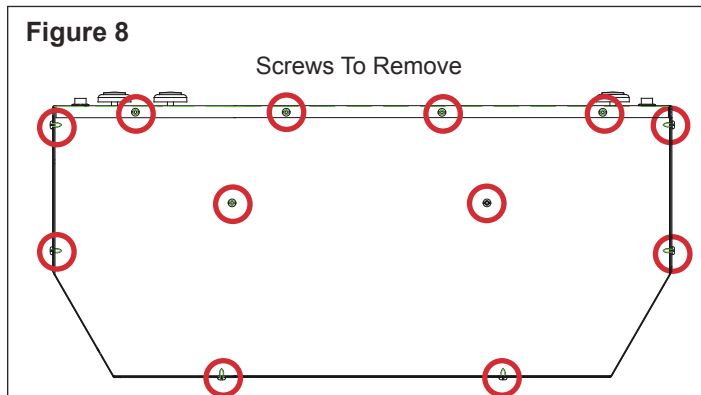


Figure 8

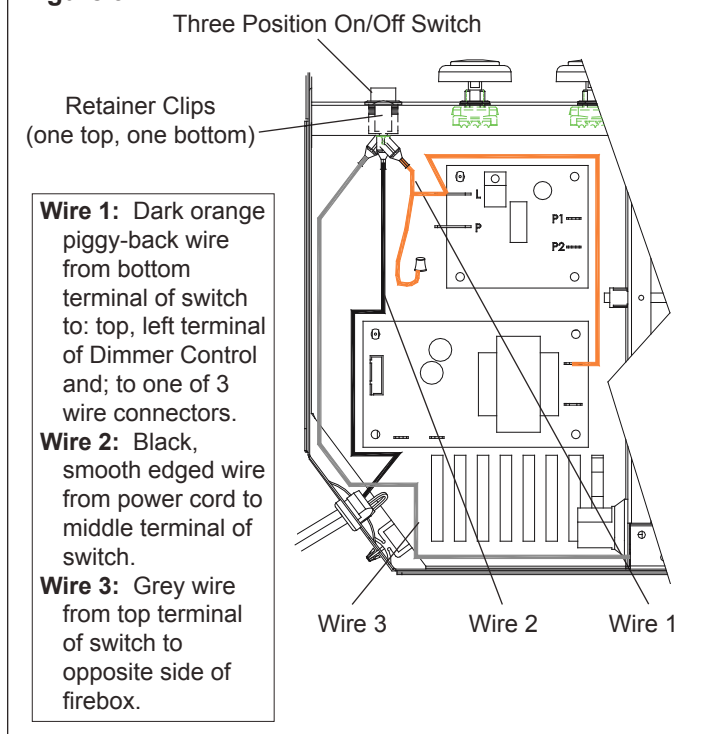


Figure 9

4. Locate the Three Position On/Off Switch mounted on the control panel on the left side (Figure 9) and disconnect the three (3) wiring clips noting their original locations.

CAUTION: Internal wire colors may not be the same within the unit being serviced as those shown. To avoid damage to the unit, damage to property or personal injury, ensure wires are reconnected to match their original locations.

5. Depress the two (2) retainer clips on the top and bottom of the switch and push the switch out the front panel.
6. Properly orientate the new switch and reconnect all of the wiring clips and connections as before.
7. Push the switch through the front control panel until the Retainer Clips snap the switch into place, then reassemble the firebox in reverse order as above.

NOTE: When placing bottom panel back onto unit, position the metal lip from under the control panel between the rubber spacers (attached to the bottom panel) and the sheet metal of the bottom panel.

Heater On/Off Switch Replacement

If the fireplace was operating prior to servicing allow at least 10 minutes for light bulbs and heating element to cool off to avoid accidental burning of skin.

Disconnect power before attempting any maintenance or cleaning to reduce the risk of electric shock or damage to persons.

Replacement Procedure

1. Remove the firebox from the mantel.
2. Lay unit on its back.
3. Remove the 12 Philips screws that fasten the bottom cover to the rest of the firebox. There are: two (2) screws on each side; two (2) screws on the back panel (you may have to tip the bottom of the firebox up if it is laying on its back), four (4) screws in the front directly under the control panel; and two (2) screws on the bottom of the firebox (see Figure 8). The bottom panel is now free to be removed.
4. Locate the Heater On/Off Switch mounted on the control panel on the right side (Figure 10, page 11) and disconnect the two (2) wiring clips noting their original locations.

CAUTION: Internal wire colors may not be the same within the unit being serviced as those shown. To avoid damage to the unit, damage to property or personal injury, ensure wires are reconnected to match their original locations.

5. Depress the two (2) retainer clips on the top and bottom of the switch and push the switch out the front of the firebox.

Figure 10 Heater On/Off Switch

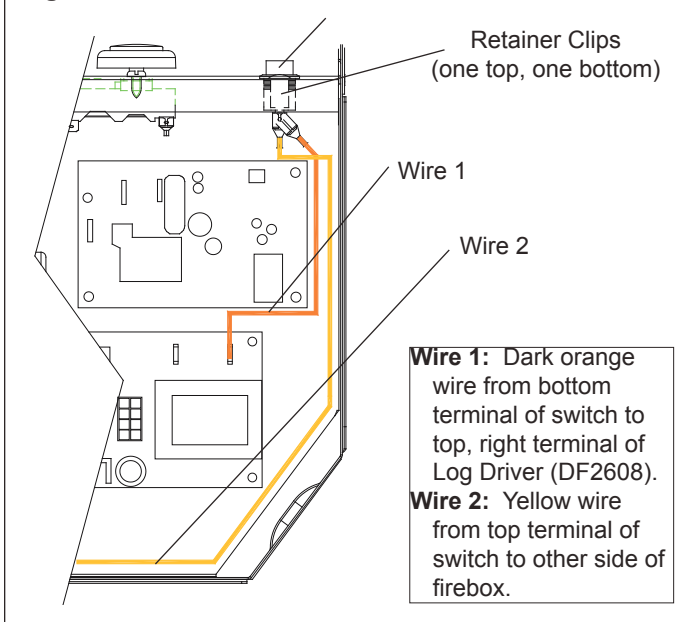
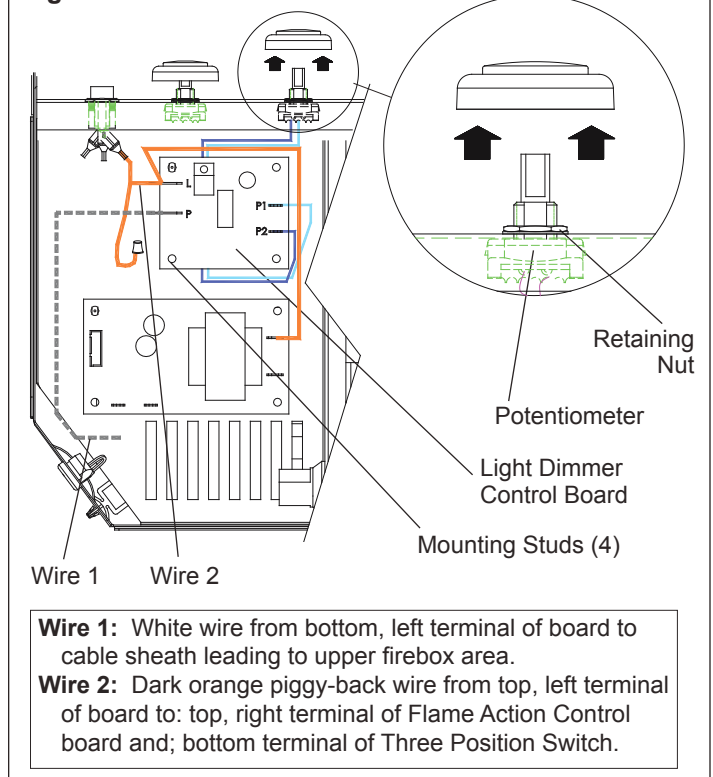


Figure 11



6. Properly orientate the new switch and reconnect all of the wiring clips and connections as before.
7. Push the switch through the front control panel until the Retainer Clips snap the switch into place, then reassemble the firebox in reverse order as above.

! NOTE: When placing bottom panel back onto unit, position the metal lip from under the control panel between the rubber spacers (attached to the bottom panel) and the sheet metal of the bottom panel.

Light Dimmer Replacement

If the fireplace was operating prior to servicing allow at least 10 minutes for light bulbs and heating element to cool off to avoid accidental burning of skin.

Disconnect power before attempting any maintenance or cleaning to reduce the risk of electric shock or damage to persons.

Replacement Procedure:

1. Remove the firebox from the mantel.
2. Lay unit on its back.
3. Remove the 12 Philips screws that fasten the bottom cover to the rest of the firebox. There are: two (2) screws on each side; two (2) screws on the back panel (you may have to tip the bottom of the firebox up if it is laying on its back), four (4) screws in the front directly under the control panel; and two (2) screws on the bottom of the firebox (see Figure 8, page 10). The bottom panel is now free to be removed.
4. Locate the Light Dimmer Control Board and Potentiometer mounted on the left side (Figure 11).
5. Pull off the Light Dimmer Control knob and unscrew the retaining nut (Figure 11). The Potentiometer can now be removed from the panel by pushing the

potentiometer through the front panel and removed from inside the firebox.

6. The Light Dimmer Control board is fastened to the underside of the Ember Bed support by four (4) mounting studs, one in each corner (Figure 11). Squeeze each mounting stud's clasp to release the circuit board from the firebox.

! NOTE: If mounting studs are damaged, replacement mounting studs will need to be inserted from underneath Log Set Assembly. Follow steps 1 - 6 of Mirror Replacement procedure on page 9 to do this. It is recommended to attempt to release the control board without cutting mounting studs.

7. Properly orientate the replacement Light Dimmer Control board and push it onto the four (4) mounting studs (running the connecting Potentiometer wires under the board) until the clasps of the mounting studs snap the control board into place.
8. Properly orientate the Potentiometer attached to the replacement control board, push it through the front control panel and anchor it in place using the retaining nut removed in step 5.
9. Disconnect one of the two (2) wire leads from the original control board (which are still connected to parts within the firebox) and immediately connect it to the new control board's terminal, matching its position. Continue with the remaining wire using the same procedure.

⚠ CAUTION: Internal wiring and colors may not be the

same within the unit being serviced as those shown. To avoid damage to the unit, damage to property or personal injury, ensure wires are reconnected to match their original locations.

10. Follow steps 1 through 3 in reverse order to reassemble the firebox.

! NOTE: When placing bottom panel back onto unit, position the metal lip from under the control panel between the rubber spacers (attached to the bottom panel) and the sheet metal of the bottom panel.

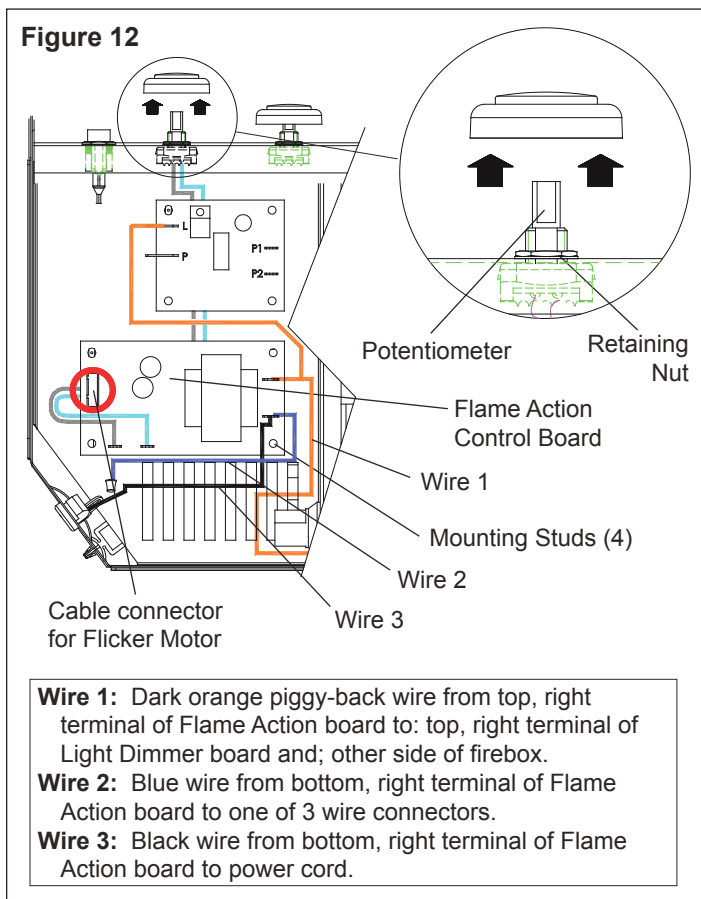
Flame Action Control Replacement

If the fireplace was operating prior to servicing allow at least 10 minutes for light bulbs and heating element to cool off to avoid accidental burning of skin.

Disconnect power before attempting any maintenance or cleaning to reduce the risk of electric shock or damage to persons.

Replacement Procedure:

1. Remove the firebox from the mantel.
2. Lay unit on its back.
3. Remove the 12 Philips screws that fasten the bottom cover to the rest of the firebox. There are: two (2) screws on each side; two (2) screws on the back panel (you may have to tip the bottom of the firebox up if it is laying on its back), four (4) screws in the front directly



under the control panel; and two (2) screws on the bottom of the firebox (see Figure 8, page 10). The bottom panel is now free to be removed.

4. Locate the Flame Action Control and Potentiometer mounted on the left hand side (Figure 12).
5. Pull off the Flame Action Control knob and unscrew the retaining nut (Figure 12). The Potentiometer can now be removed from the panel by pushing the Potentiometer through the front panel and remove from inside the firebox.
6. The Flame Action Control board is fastened to the underside of the Ember Bed support by four (4) mounting studs, one in each corner (Figure 12). Squeeze each mounting stud's clasp to release the circuit board from the firebox.

! NOTE: If mounting studs are damaged, replacement mounting studs will need to be inserted from underneath Log Set Assembly. Follow steps 1 - 6 of Mirror Replacement procedure on page 9 to do this. It is recommended to attempt to release the control board without cutting mounting studs.

7. Properly orientate the replacement Flame Action Control board and push it onto the four (4) mounting studs (running the connecting Potentiometer wires under the board where possible) until the clasps of the mounting studs snap the control board into place.
8. Properly orientate the Potentiometer attached to the replacement control board, push it through the front control panel and anchor it in place using the retaining nut removed in step 5.
9. Disconnect one of the wire leads from the original control board (which are still connected to parts within the firebox) and immediately connect it to the new control board's terminal, matching its position. Continue with the remaining wires (there are four (4) wires which are piggy-backed together in pairs, and the cable connector which leads to the Flicker Motor) using the same procedure.

! CAUTION: Internal wiring and colors may not be the same within the unit being serviced as those shown. To avoid damage to the unit, damage to property or personal injury, ensure wires are reconnected to match their original locations.

10. Follow steps 1 through 3 in reverse order to reassemble the firebox.

! NOTE: When placing bottom panel back onto unit, position the metal lip from under the control panel between the rubber spacers (attached to the bottom panel) and the sheet metal of the bottom panel.

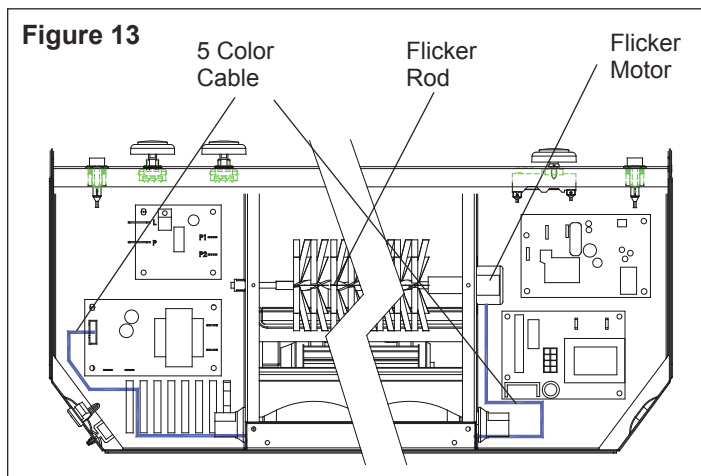
Flicker Motor/Flicker Rod Replacement

If the fireplace was operating prior to servicing allow at least 10 minutes for light bulbs and heating element to cool off to avoid accidental burning of skin.

Disconnect power before attempting any maintenance or cleaning to reduce the risk of electric shock or damage to persons.

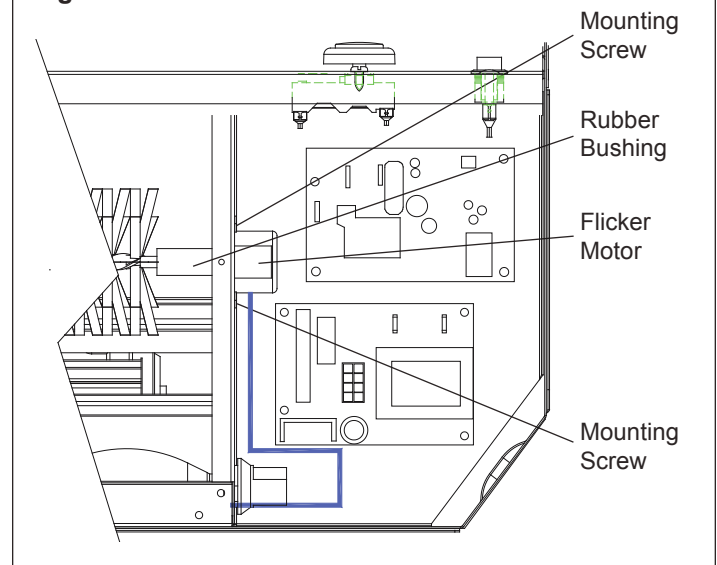
Replacement Procedure:

1. Remove the firebox from the mantel.
2. Lay unit on its back.
3. Remove the 12 Philips screws that fasten the bottom cover to the rest of the firebox. There are: two (2) screws on each side; two (2) screws on the back panel (you may have to tip the bottom of the firebox up if it is laying on its back), four (4) screws in the front directly under the control panel; and two (2) screws on the bottom of the firebox (see Figure 8, page 10). The bottom panel is now free to be removed.
4. Locate Flicker Rod and Flicker Motor in the base assembly (Figure 13).



5. Gently pull the Flicker Rod to the right as far as possible into the rubber bushing (Figure 13).
 - ! **NOTE:** When removing the Flicker Rod, damage may occur if bent excessively. If the Flicker Rod is damaged, replace to insure proper operation.
6. Cautiously bend the Flicker Rod enough so that the remaining end of the Flicker Rod clears the plastic bushing on the left (Figure 14).
7. Remove the Flicker Rod by pulling it free from the rubber bushing on the motor shaft (Figure 14).
8. Before removing the Flicker Motor, cut the Flicker Motor wires (five (5) in total) as close to the Flicker Motor as possible.
9. Remove the rubber bushing from the motor shaft by applying needle nose pliers to the motor shaft and twist the rubber bushing off of the motor shaft.
10. Remove the two (2) motor mounting screws and

Figure 14



remove Flicker Motor from the mounting bracket (Figure 14).

11. Discard old Flicker Motor.
12. Pick up new Flicker Motor and cut wire leads to 3 ½ inch long with wire cutters.
13. Using one of the supplied wire connectors from the Replacement Part Kit, place one (1) yellow wire from the new Flicker Motor and the yellow wire cut in step 8 into each terminal.
14. Secure the wire connector by crimping the 3M symbol with pliers.
15. Pull on end of wires to ensure a strong connection.
16. Repeat the process for the four (4) remaining wires. **Ensure that all wires are paired by color in each connector.**

! **NOTE:** In the event that multiple Flicker Motors were already replaced within unit, or if required wiring has been cut too short, it may be necessary to replace Flicker Motor and the attached cable as a whole.

To do so:

- i) Follow steps 1 through 7 and step 9.
- ii) Unplug the cable connector from the Flame Action Control board on the left side of the firebox (Figure 12, page 12).
- iii) Cut all cable ties that bind the Flicker Motor Cable and other wires together (wires and cable run behind the lower bulbs).
- iv) Follow steps 10 and 11 to remove defective Flicker Motor.
- v) Follow steps 17 through 19 to install new Flicker Motor.
- vi) Run Flicker Motor Cable along channel behind lower bulbs and bind together with other wires using cable ties.
- vii) Plug cable connector into Flame Action Control

board (Figure 12, page 12).

viii) Reassemble firebox and replace in mantel.

17. Properly orientate and secure the replacement Flicker Motor to the bracket with screws removed in step 10.
18. Replace rubber bushing on motor shaft.
19. Replace Flicker Rod.
20. Reassemble firebox and replace in mantel.

! NOTE: When placing bottom panel back onto unit, position the metal lip from under the control panel between the rubber spacers (attached to the bottom panel) and the sheet metal of the bottom panel.

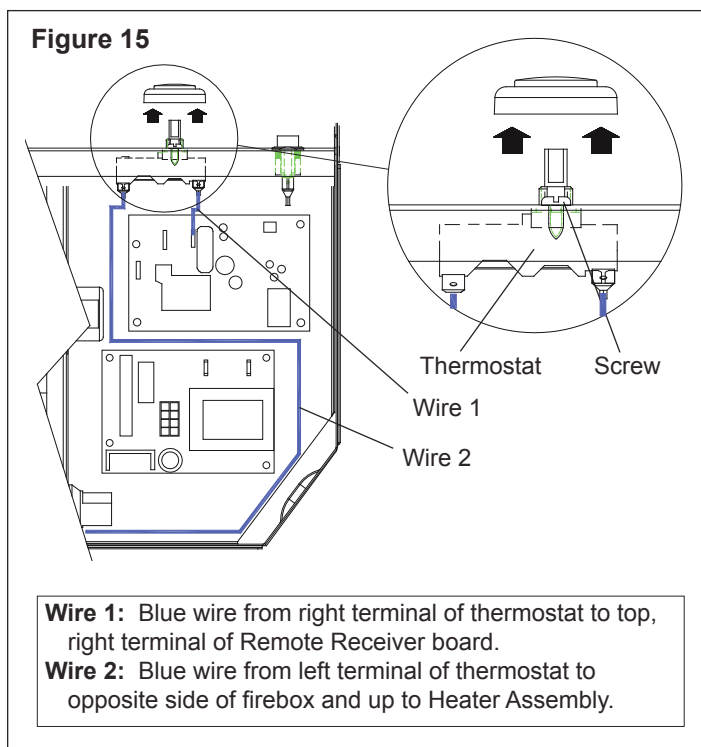
Thermostat Control Replacement

If the fireplace was operating prior to servicing allow at least 10 minutes for light bulbs and heating element to cool off to avoid accidental burning of skin.

Disconnect power before attempting any maintenance or cleaning to reduce the risk of electric shock or damage to persons.

Replacement Procedure:

1. Remove the firebox from the mantel.
2. Lay unit on its back.
3. Remove the 12 Philips screws that fasten the bottom cover to the rest of the firebox. There are: two (2) screws on each side; two (2) screws on the back panel (you may have to tip the bottom of the firebox up if it is laying on its back), four (4) screws in the front directly under the control panel; and two (2) screws on the bottom of the firebox (see Figure 8, page 10). The bottom panel is now free to be removed.



4. Locate the Thermostat Control mounted on the control panel on the right hand side (Figure 15) and disconnect the two (2) wiring clips noting their original locations.

! CAUTION: Internal wiring and colors may not be the same within the unit being serviced as those shown. To avoid damage to the unit, damage to property or personal injury, ensure wires are reconnected to match their original locations.

5. Pull off the thermostat control knob to expose the two (2) Philips mounting screws (Figure 15).
6. Remove the mounting screws and remove the thermostat control switch from inside the control panel.
7. Properly orientate the new Thermostat Control and reconnect the wiring connections.
8. Reassemble in the reverse order as above.

! NOTE: When placing bottom panel back onto unit, position the metal lip from under the control panel between the rubber spacers (attached to the bottom panel) and the sheet metal of the bottom panel.

Remote Control Replacement

Remote Control hand held transmitters require no replacement procedure however, a reinitialization procedure may need to be followed. Refer to Page 1 for the Remote Initialization procedure.

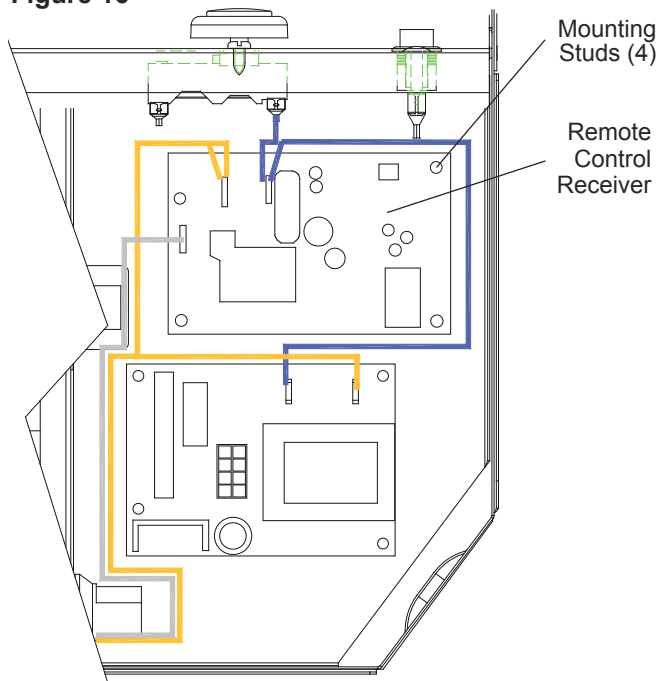
If the fireplace was operating prior to servicing allow at least 10 minutes for light bulbs and heating element to cool off to avoid accidental burning of skin.

Disconnect power before attempting any maintenance or cleaning to reduce the risk of electric shock or damage to persons.

Receiver Replacement Procedure:

1. Remove the firebox from the mantel.
2. Lay unit on its back.
3. Remove the 12 Philips screws that fasten the bottom cover to the rest of the firebox. There are: two (2) screws on each side; two (2) screws on the back panel (you may have to tip the bottom of the firebox up if it is laying on its back), four (4) screws in the front directly under the control panel; and two (2) screws on the bottom of the firebox (see Figure 8, page 10). The bottom panel is now free to be removed.
4. Locate the Remote Control Board mounted on the right hand side (Figure 16).
5. The Remote Control Board is fastened to the underside of the Ember Bed support by four (4) mounting studs, one in each corner (Figure 15). Squeeze each mounting stud's clasp to release the circuit board from the firebox.

! NOTE: If mounting studs are damaged, replacement mounting studs will need to be inserted from underneath the Log Set Assembly. Follow steps 1 - 6 of

Figure 16

- **Blue piggy-back:** From top, right terminal of Remote Receiver board to 1) right terminal of thermostat and 1) to left terminal of Log Driver board.
- **Orange piggy-back:** From top, left terminal of Remote Receiver board to 1) right terminal of Log Driver board and 1) to opposite side of firebox and to top terminal of Flame Action board.
- **Grey:** From left side terminal of Remote Receiver board to opposite side of firebox, leading to Heater Assembly.

Mirror Replacement procedure on page 9 to do this. It is recommended to attempt to release the control board without cutting mounting studs.

6. Properly orientate the replacement Remote Receiver board and push it onto the four (4) mounting studs until the clasps of the mounting studs snap the control board into place.
7. Disconnect one of the wire leads from the original control board (which are still connected to parts within the firebox) and immediately connect it to the new control board's terminal, matching its position. Continue with the remaining wires (there are four (4) wires which are piggy-backed together in pairs, and a single grey wire) using the same procedure.

⚠ CAUTION: Internal wiring and colors may not be the same within the unit being serviced as those shown. To avoid damage to the unit, damage to property or personal injury, ensure wires are reconnected to match their original locations.

8. Follow steps 1 through 3 in reverse order to re-assemble the firebox.

! NOTE: When placing bottom panel back onto unit,

position the metal lip from under the control panel between the rubber spacers (attached to the bottom panel) and the sheet metal of the bottom panel.

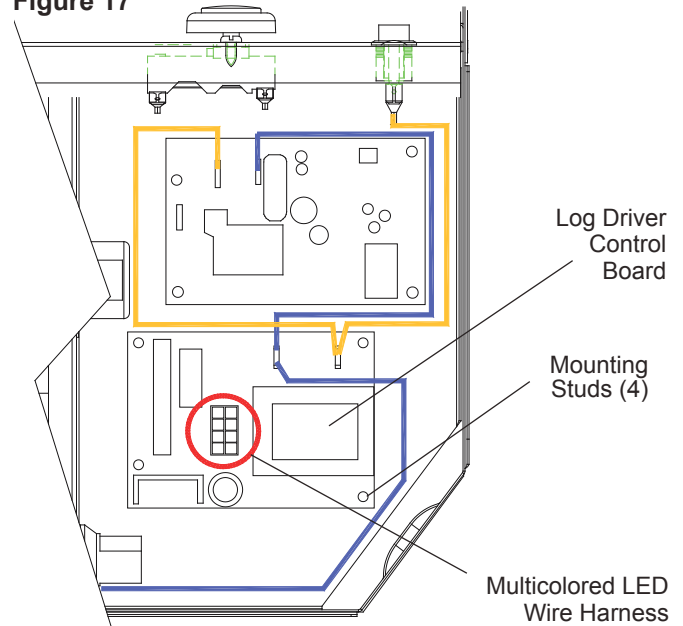
Log Driver Control Board Replacement (DF2608 only)

If the fireplace was operating prior to servicing allow at least 10 minutes for light bulbs and heating element to cool off to avoid accidental burning of skin.

Disconnect power before attempting any maintenance or cleaning to reduce the risk of electric shock or damage to persons.

Replacement Procedure:

1. Remove the firebox from the mantel.
2. Lay unit on its back.
3. Remove the 12 Philips screws that fasten the bottom cover to the rest of the firebox. There are: two (2) screws on each side; two (2) screws on the back panel (you may have to tip the bottom of the firebox up if it is laying on its back), four (4) screws in the front directly under the control panel; and two (2) screws on the bottom of the firebox (see Figure 8, page 10). The bottom panel is now free to be removed.
4. The Log Driver Control Board is fastened to the underside of the Ember Bed support by four (4) mounting studs, one in each corner (Figure 17). Squeeze each mounting stud's clasp to release the circuit board from the firebox.

Figure 17

- **Blue piggy-back:** From left terminal of Log Driver board to 1) right terminal of Remote Receiver board and 1) to other side of firebox and connecting to wire nut.
- **Orange piggy-back:** From right terminal of Log Driver board to 1) bottom terminal of Heat On/Off Switch and 1) left terminal of Remote Receiver board.

! NOTE: If mounting studs are damaged, replacement mounting studs will need to be inserted from underneath the Log Set Assembly. Follow steps 1 - 6 of Mirror Replacement procedure on page 9 to do this. It is recommended to attempt to release the control board without cutting mounting studs.

5. Properly orientate the replacement Log Driver board and push it onto the four (4) mounting studs until the clasps of the mounting studs snap the control board into place.
6. Disconnect one of the wire leads from the original control board (which are still connected to parts within the firebox) and immediately connect it to the new control board's terminal, matching its position. Continue with the remaining wires (there are four (4) wires which are piggy-backed together in pairs, and a single grey wire) using the same procedure.

⚠ CAUTION: Internal wiring and colors may not be the same within the unit being serviced as those shown. To avoid damage to the unit, damage to property or personal injury, ensure wires are reconnected to match their original locations.

7. Follow steps 1 through 3 in reverse order to re-assemble the firebox.

! NOTE: When placing bottom panel back onto unit, position the metal lip from under the control panel between the rubber spacers (attached to the bottom panel) and the sheet metal of the bottom panel.

Heater Assembly Replacement

If the fireplace was operating prior to servicing allow at least 10 minutes for light bulbs and heating element to cool off to avoid accidental burning of skin.

Disconnect power before attempting any maintenance or cleaning to reduce the risk of electric shock or damage to persons.

Replacement Procedure

1. Remove the firebox from the mantel.
2. Remove the 10 Phillips screws that fasten the top cover to the rest of the firebox. There are: (four) 4 screws at the back of the firebox, along the top; two (2) screws on each side and at the top of the firebox; and two (2) screws on the top of the firebox (Figure 18).
4. Flip the top panel over and place upside down on the top of the unit. You may experience some resistance as the Heater Assembly is mounted to the top panel and may be a snug fit inside the firebox. Orientate yourself with the placement of the Heater Assembly and wiring as shown in Figure 19.
5. Turn the top panel over and, while supporting the Heater Assembly and panel in one hand, remove the five (5) Phillips heater mounting screws, noting the center screw is of a larger diameter (Figure 20).

Figure 18

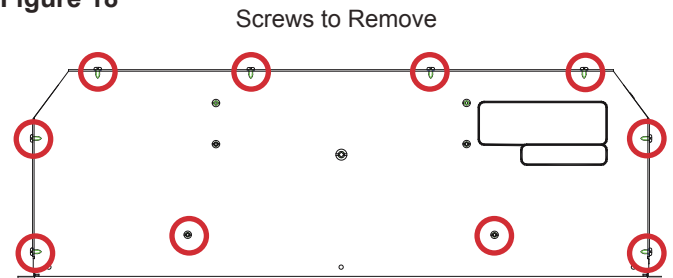
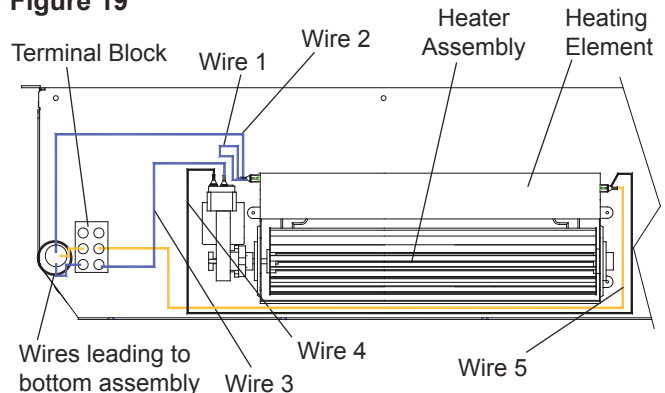
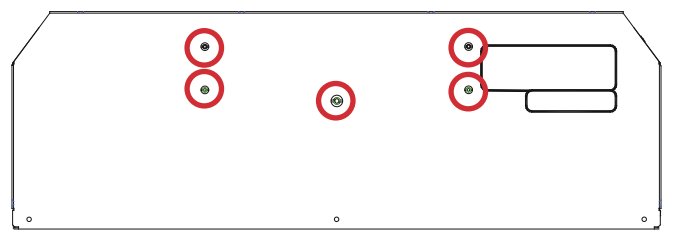


Figure 19



- **Wire 1:** Blue wire connecting top and bottom terminal of Heater Element on left side.
- **Wire 2:** Blue wire from top, left terminal of Heater Element through to lower part of firebox.
- **Wire 3:** Blue wire connecting inside terminal of Motor to Terminal Block, matched with blue wire from Terminal Block to lower part of firebox.
- **Wire 4:** Black wire from outside terminal of Motor to bottom terminal of Heater Element on right side.
- **Wire 5:** Yellow wire from top terminal of Heater Element on right side to Terminal Block, matched to yellow wire leading to lower part of firebox.

Figure 20



6. Separate the Heater Assembly from the top panel.
7. Properly orientate the new Heater Assembly and attach it to the top panel using the screws removed in step 5.
8. Disconnect one of the wire leads from the original Heater Assembly (which are still connected to parts within the firebox) and immediately connect it to the new Heater Assembly's terminal, matching its position. Continue with the remaining wires using the same procedure.

⚠ CAUTION: Internal wiring and colors may not be the same within the unit being serviced as those shown. To

avoid damage to the unit, damage to property or personal injury, ensure wires are reconnected to match their original locations.

9. Fit Heater Assembly into top of firebox and re-assemble firebox using screws removed in step 2.

Power Cord Replacement

If the fireplace was operating prior to servicing allow at least 10 minutes for light bulbs and heating element to cool off to avoid accidental burning of skin.

Disconnect power before attempting any maintenance or cleaning to reduce the risk of electric shock or damage to persons.

Replacement Procedure:

1. Remove the firebox from the mantel.
2. Lay unit on its back.
3. Remove the 12 Philips screws that fasten the bottom cover to the rest of the firebox. There are: two (2) screws on each side; two (2) screws on the back panel (you may have to tip the bottom of the firebox up if it is laying on its back), four (4) screws in the front directly under the control panel; and two (2) screws on the bottom of the firebox (see Figure 8, page 10). The bottom panel is now free to be removed.
4. Locate and disconnect the two (2) power cord wire connections. The smooth edged wire leading from the narrow blade of the power plug connects to the middle of the three (3) terminals on the Three Position On/Off Switch; the side of the power cord leading from the wide blade of the plug, and has ridges along its edge leads to the bottom, right terminal of the Flame Action Control board (Figure 21).
5. Using pliers, squeeze the sides of the plastic wire clamp on the Power Cord from inside the chassis and push it through the sheet metal.
6. Release clamp from the Power Cord and remove Power Cord from the firebox.
7. Run replacement Power Cord through the firebox as above and connect wire ends as described in step 4.
8. Leave two (2) inches of slack in cord and secure in place with clamp.
9. Follow steps 1 through 3 in reverse order to re-assemble the firebox.

